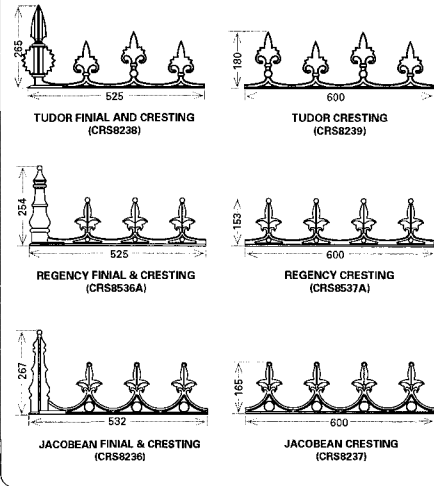


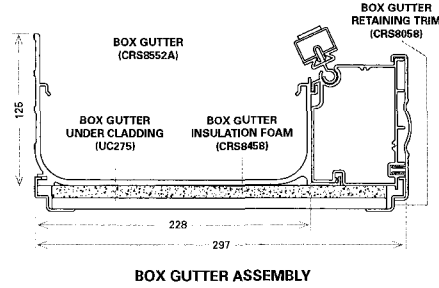
the **complete** solution

Conservatory Main Assemblies Product Chart

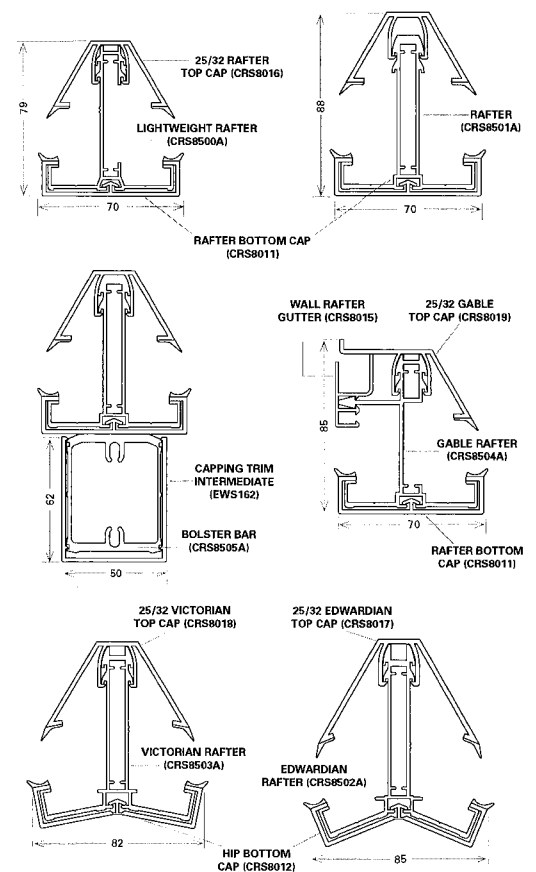
Finials and crestsings



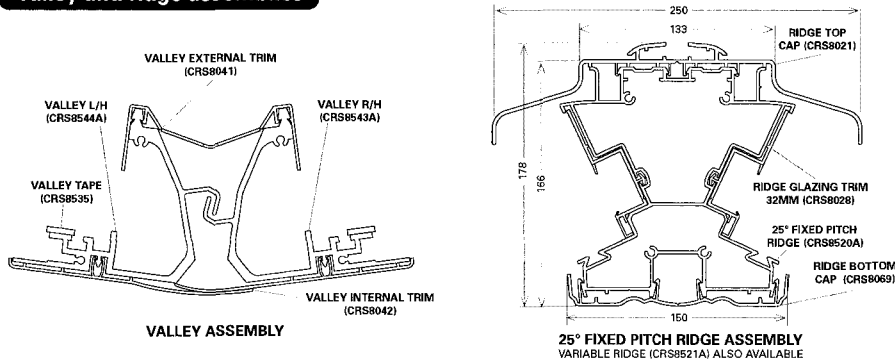
Box gutters



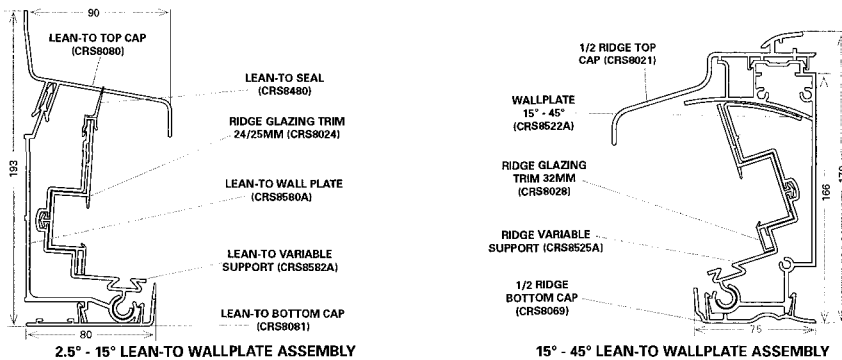
Rafter and hip assemblies



Valley and ridge assemblies



Lean-to wall plates



Ring beams

