



# Conservatory Roof Assembly Guide

To visit our online help centre please click anywhere inside this box

<b>1. Before you start</b>	p2	<b>8. Sealing</b>	
<b>2. Box gutter</b>		<b>8.1 Fitting the foam bung</b>	p22
<b>2.1 Fixing &amp; sealing the box gutter</b>	p3	<b>8.2 Ridge corner joint</b>	p23
<b>2.2 Joining the box gutter</b>	p4	<b>8.3 Ridge 'T' joint</b>	p23
<b>3. Eaves beam</b>		<b>9. Ridge top caps</b>	
<b>3.1 Fixing the Global eaves beam</b>	p4	<b>9.1 Ridge &amp; wallplate top cap</b>	p24
<b>3.2 Fixing the Shield eaves beam</b>	p5	<b>9.2 Ridge flashing trim (standard)</b>	p25
<b>3.2 Fixing the gable support platform</b>	p5	<b>9.2a Ridge flashing trim (p-shape)</b>	p25
<b>3.3 Joining the eaves beam</b>	p6	<b>9.3 Radius end top cap</b>	p26
<b>3.4 Fixing the eaves beam to box gutter</b>	p6	<b>9.4 Gable end top cap</b>	p27
<b>4. Rafters</b>		<b>9.5 Ridge top cap joints</b>	p27
<b>4.1 Ridge &amp; radius end rafters</b>	p6	<b>10. Guttering</b>	
<b>4.2 Jack rafter connection</b>	p9	<b>10.1 Guttering</b>	p28
<b>4.3 Gable end rafter</b>	p9	<b>10.2 Gutter union to box gutter</b>	p29
<b>4.4 Standard valley rafter</b>	p10	<b>10.3 Gutter spigot</b>	p29
<b>4.5 Drop valley rafter</b>	p11	<b>11. Internal cladding</b>	
<b>4.6 In-line valley on gable support</b>	p12	<b>11.1 Internal eaves cladding</b>	p30
<b>5. Ridge</b>		<b>11.2 Internal ridge cladding</b>	p30
<b>5.1 Joining ridges</b>	p13	<b>11.3 Internal valley cladding</b>	p31
<b>5.2 Lean to wallplate</b>	p14	<b>11.4 Box gutter cladding</b>	p32
<b>6. Tie bar</b>		<b>11.5 Internal wallplate cladding</b>	p33
<b>6.1 3 &amp; 5 way tie bars</b>	p14	<b>12. Bolstered rafters</b>	p33
<b>6.2 In-line tie bar</b>	p16	<b>13. Wide span roofs</b>	p34
<b>7. Glazing</b>		<b>13. Useful information</b>	p34
<b>7.1 Fitting the roof sheets</b>	p17		
<b>7.2 Glazing the valley</b>	p18		
<b>7.3 Glass roofs</b>	p18		
<b>7.4 Fixing the munting bar</b>	p19		
<b>7.5 Fixing the roof vent</b>	p20		
<b>7.6 Roof vent site glazed assembly</b>	p21		

## 1. Before you start

The purpose of this installation guide is to assist the installation team when erecting a ConservatoryLand roof. All ConservatoryLand roofs are individually designed to suit the requested size and specification. The ConservatoryLand roof will arrive in kit form consisting of a number of packages containing the aluminium skeleton and the PVCu cappings. Small ancillary items will arrive in a box, with a copy of the roof layout plan.



This roof has 17 packs



The delivery note shows what is in each pack



Each pack has label with descriptions

### Roof Layout Plan

The roof layout plan is essential as it depicts the size of the roof and the position of the main roof components. Thoroughly check that the roof fits the window frame layout and that all the roof components are present.

Each length of material should be numbered to correspond with its position on the roof plan.

An example of this is an eaves beam assembly numbered BM1 on the roof plan, the aluminium, gutter and cladding lengths should all be numbered BM1 to aid identification.

### Care of Products On Site

Although the ConservatoryLand roof is robust in construction, simple measures should be taken when handling, storing and erecting the conservatory roof.

When unwrapping the packages take care not to damage components with a knife.

Do not leave PVCu components outside in freezing conditions then immediately attempt to knock them on.

Do not leave brown components in their packaging whilst in direct sunlight at times of high temperatures.

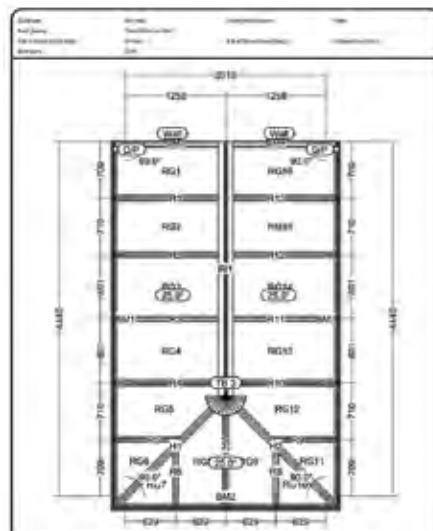
Store polycarbonate roof panels in a dry safe area until they are required.

### Sealing

Our roof requires sealing at important junctions in the roof, the use of Low Modulus, Neutral Cure sealants is vital. Self cleaning glass may have compatibility issues with certain types of sealant based sealants, refer to your glass supplier regarding the use of specific sealants.

### Roof Vents and Thermal Heat Gain

Due to the nature of a conservatory, solar heat gain must be considered, as during hot summer days temperatures can reach in excess of 30°C. To help reduce this thermal gain within the conservatory it is recommended that the frames and roof are fitted with opening sashes and roof vents. We offer roof vents that can be fitted with climate control and rain sensors, alongside a range of climate control glass, that helps control solar heat gain within the living area.



### Condensation Risk

In common with all glazed roof structures temperature reduction under certain weather conditions can lead to condensation forming. This effect can be minimised by the use of background heating and ventilation within the design of the structure. Extra consideration should also be taken if the position of the conservatory is next to a kitchen or bathroom, due to the increase in vapour gases produced by cooking and showering.

Condensation is a naturally occurring effect and its presence is not a sign of a faulty roof.

### Tools Required

The following tools are necessary to install the ConservatoryLand roof:

- 13mm socket and ratchet
- 13mm open ended spanner
- 17mm open ended spanners
- Power drill + HSS and masonry bits
- Long nosed pliers
- White rubber headed mallet
- Stanley knife
- Tape measure
- 45mm diameter hole cutter
- 60mm diameter hole cutter
- Sealant gun
- Spirit level
- Hack saw
- Hot air gun
- Roofing square
- Cordless driver + pozi bits
- Nylon roller

## 2.1 Fixing and sealing the box gutter



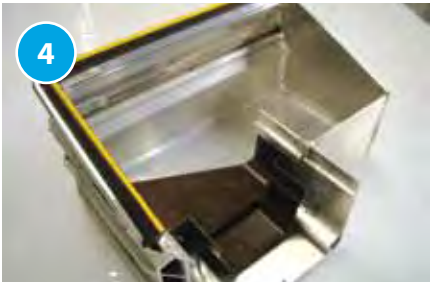
The box gutter requires an adaptor to connect it into the perimeter plastic gutter. Apply 2 beads of sealant to this joint and slide in the adaptor. It is advisable to seal closed the voids in the end of the box gutter prior to fitting the adaptor.



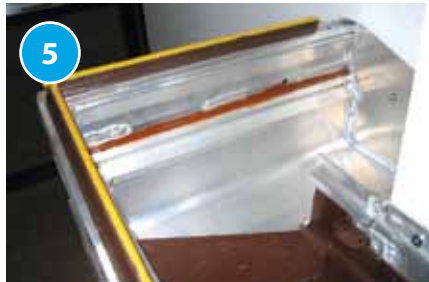
The specialised fitting tape should only be applied when the aluminium is clean, dry and free of grease. Warm the tape with a heat gun and fit it centrally over the joint.



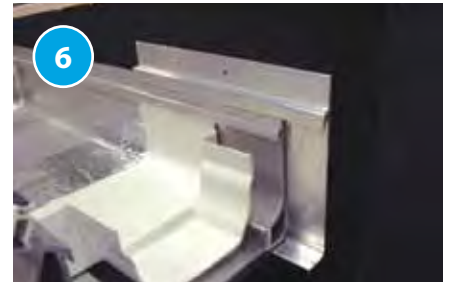
Whilst the joint is warm, use a small nylon roller to give an even compressed seal. Do not leave any air pockets or open edges on the tape.



The example above shows 2 special pieces of box gutter fabrication, the raised leg and zero return. The small return on the box gutter requires a welded upstand to accept the box gutter adaptor. The adaptor will need to be modified on site (as shown) prior to fixing.



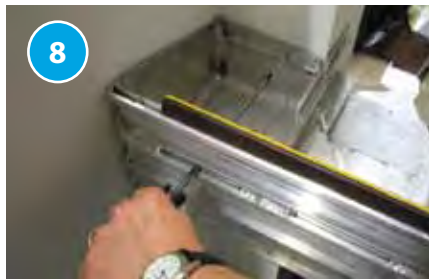
The raised leg section of the box gutter is welded into the head of the main gutter. Sealant seal this continuous joint or preferably flash over the joint to create a watertight seal.



The box gutter has an optional fixing plate. This fixing plate is fastened back to existing and then the box gutter is swung into it. Ensure that the fixing plate is level and straight. Fix together using **XM48-12** screws located through the bottom of the fixing plate into the box gutter.



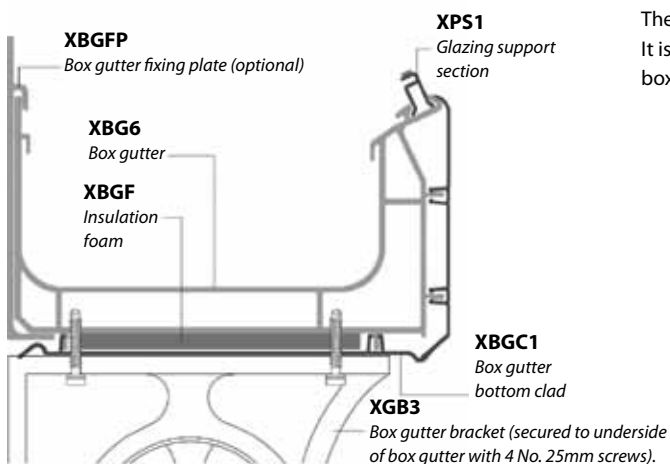
The box gutter must be fitted level and supported at both ends. Longer box gutters require intermediate support as per the recommendations in the Structural Information Guide.



The box gutter can be fastened back without the fixing plate. This raised leg example shows the fastener being secured with a long reach screwdriver through a site drilled access hole on the box gutter inner wall.

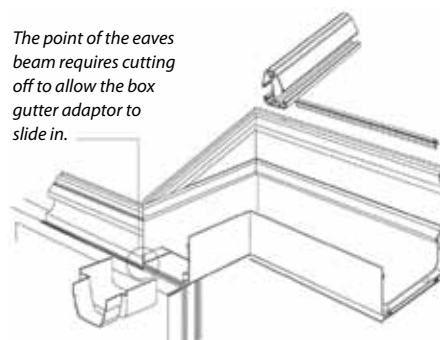


Consider the box gutter to eaves beam joint before fixing the box gutter to the building. The mitred joint must be tight and secured with the bracket as shown above.



### The raised leg box gutter detail

The aluminium box gutter is designed to carry water to the perimeter plastic guttering. It is also designed to act as a beam carrying the weight of the rafters and glazing. The box gutter must be supported at both ends and at recommended centres.



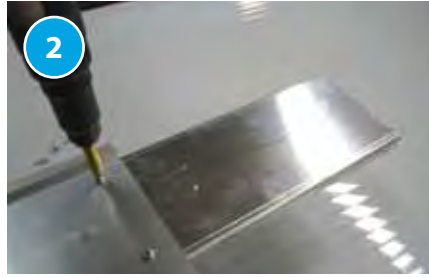
The position of the adaptor is dependant on the type of gutter union connecting to it. The screw lug requires removing as per the example in Section 10.2 (page 26).



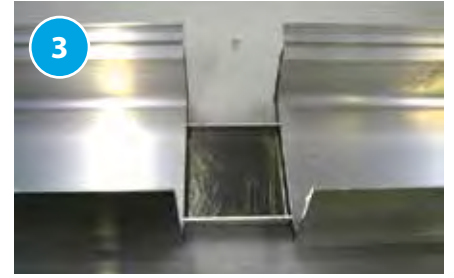
## 2.2 Joining the box gutter



Slide the aluminium joiner half way into the body of one box gutter.



Turn the box gutter over and secure it with 6 **XM48-12** regular self drilling screws equally spaced along the joiner.



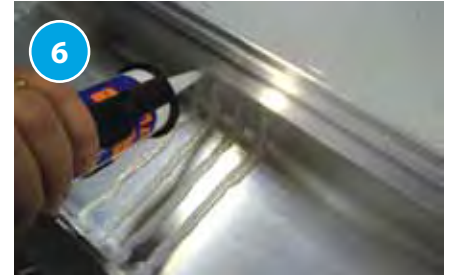
Slide the adjacent box gutter onto the joiner to create the butt joint. Secure the second box gutter to the joiner as before.



The plastic box gutter joiner can be found in the component box. File down the mould spur off the underside.



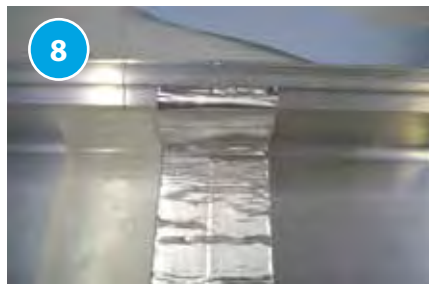
One edge of the joiner will require trimming down to allow it to clip into the groove on each side of the box gutter.



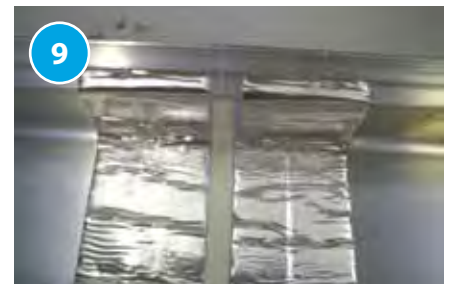
Run lines of sealant each side of the butt joint directly under where the joiner will be fitted.



Clip the joiner into the back groove on the box gutter and rotate the joiner into position allowing it to clip into the front groove. Remove any excess sealant from each side of the joiner.

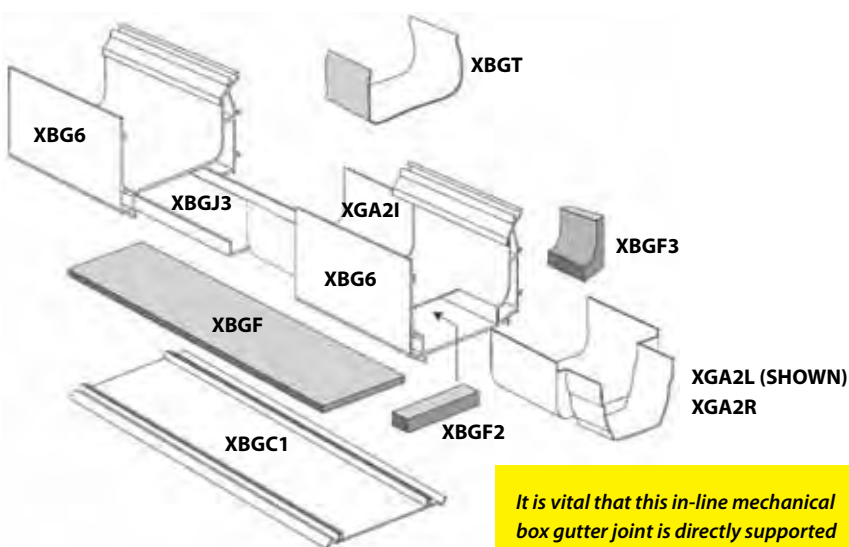


Use the flashing tape provided to seal the plastic to aluminium joint. The box gutter must be clean and dry and ideally warm to assist the adhesion. Press the flashing tape firmly into place removing any air bubbles.



Repeat the process for the other edge on the joint.

### Part codes



*It is vital that this in-line mechanical box gutter joint is directly supported using a box gutter gallows bracket or similar intermediate support.*

## 3.1 Fixing the Global eaves beam



The Global eaves beam is designed to suit 60-70mm frames and is fitted using screw fittings. Fit the internal eaves beam face 2mm in from the inside frame line.

## 3.2 Fixing the Shield eaves beam

Before the roof installation commences make sure the conservatory footprint dimensions are correct, with the frames level and plumb. The internal sizes at the head of the frames should correspond with those on the supplied roof plan.

We recommend that sealant is used to form a seal between the head of the frame and the bottom of the eaves beam.

*Note: Do not seal the front of the eaves beam as this will restrict the fitting of the gutter under trim.*



Position each eaves beam in turn onto the frame head ensuring the turnbuckles are in the open position. The internal eaves beam leg fits over the inside frame edge. The bottom of the eaves beam must fit down tight to the head of the frame the use of clamps is recommended to achieve this. In the event that a turnbuckle falls over a frame joint or connector the turnbuckle can be removed and a screw fixing used to secure this section of beam to the frame.



*Note: It is recommended that when frame connectors are used then they should be cut 3mm shorter than the frame height to allow for the legs on the bottom of the eaves beam.*

Once you are happy with the eaves beam setting out, engage each turnbuckle making sure of a positive connection with the frame.



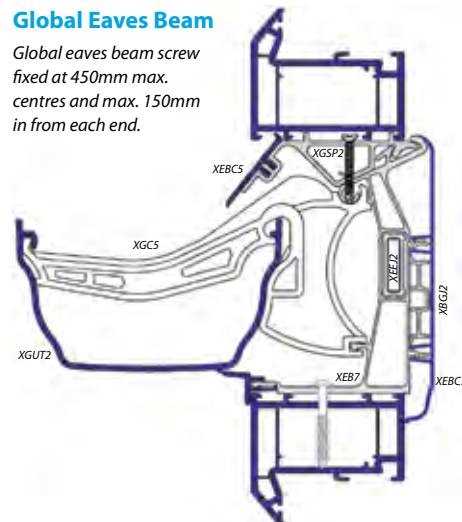
Position the external stainless steel eaves beam connecting bracket centrally between the two extrusion lines on the outside of the eaves beam. Fix the bracket to the eaves beams using the supplied self drilling screws (XM48-12).



When the eaves beams join to an internal corner a larger connecting bracket is supplied. In this picture a glazing packer has been temporarily used to form a gap between the bracket and cladding barb to allow space for the later fitting of the internal eaves clads. This bracket is fixed using the supplied self drilling screws (XM48-12).

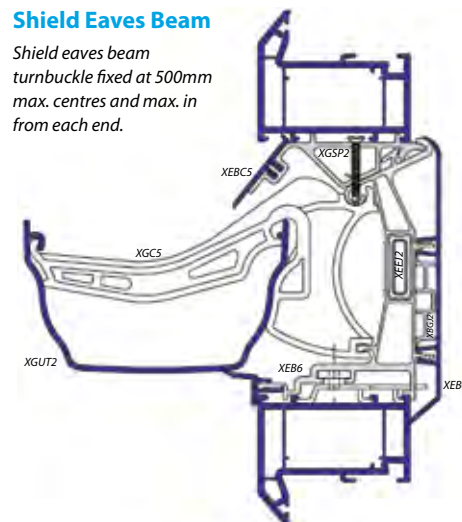
### Global Eaves Beam

Global eaves beam screw fixed at 450mm max. centres and max. 150mm in from each end.



### Shield Eaves Beam

Shield eaves beam turnbuckle fixed at 500mm max. centres and max. in from each end.



## 3.3 Fixing the gable support platform



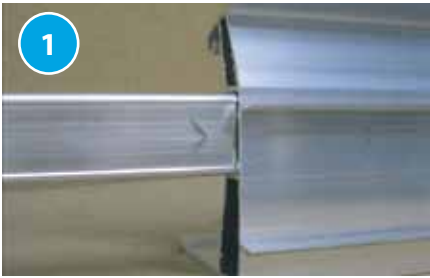
When a gable support system is used, the eaves beam includes a separate aluminium extrusion that forms the gable platform. Occasionally this section will require fitting into the eaves beam on site.



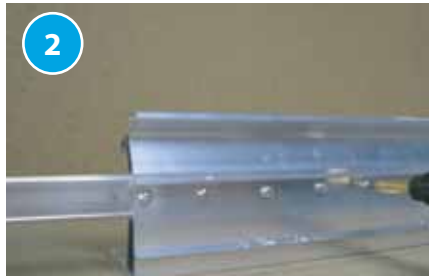
Slide the gable platform into the eaves beam parabolic head. Centralise the platform with the eaves beam (or gable frame when used in a gable fronted lean-to). Secure the gable platform into the eaves beam with a 25mm self drilling screw (not supplied).

*Note: If the roof design has been noted as wide span, follow further instructions on page 30.*

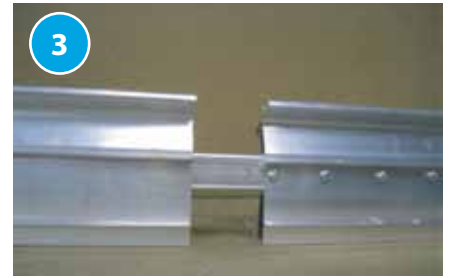
### 3.4 Joining the eaves beam



Find and mark the centre of the eaves beam joiner, slide the joiner in to the eaves beam cavity up to the centre mark.



Fix the joiner to the eaves beam using the supplied 12mm self drilling screws (**XM48-12**).



Slide the next section of eaves beam over the joiner until it meets the end of the first section of eaves beam. Fix in place using the 12mm self drilling screws (**XM48-12**).

### 3.5 Fixing the eaves beam to box gutter



When joining two sections of Heavy Duty Eaves Beam (XEB7HD) it will be necessary to re-locate the Eaves Beam Joiner to the bottom cavity of the Heavy Duty Eaves instead of the centre cavity due to the increase in the wall thickness of the profile.



Find and mark the centre of the box gutter to eaves beam joiner. Fit the joiner centrally between the box gutter cladding barbs and fix using the supplied 12mm self drilling screws.



Slide the eaves beam onto the joiner until it meets the end of the box gutter. Fix in place using the 12mm self drilling screws (**XM48-12**).

### 4.1 Ridge & radius end rafters



Before the installation of the rafters it is necessary to install the glazing support adapters. These are designed to fill in the gap left between the shaped rafter bottom cap and the polycarbonate support trim.

*Note: The rafters and ridge can be flashed at this stage. The ridge and top cap can be fitted prior to glazing.*



These come in two sizes, the larger for Georgian hips and the smaller for Victorian, jacks and transom rafters.

*Note: To establish the correct position of a ridge on a gable designed roof place the holes which are drilled at 28mm from the end of the ridge against the house wall. This will leave the holes drilled at 38mm at the front.*



Determine the height and position of the ridge and support it in this position. Next locate the main ridge to eaves rafters using the roof plan as a guide to their positions. Each rafter connects into a pre-drilled hole via a single bolt to the top and bottom.

*Note: If a security bolt is fitted it is important that this is checked for tightness on site. If it is found to be loose then it must be fully tightened using a 4mm Allen key.*

For wide span roofs see page 30.





Ensure the ridge or wallplate is level and in its correct position prior to securing the rafter bolt with a M8 flanged nut. These need to be securely tightened with a 13mm socket or spanner.



The rafters against the house wall should be secured back using suitable masonry fixings at 600mm maximum centres and a maximum of 150mm in from either end of the rafter. Ensure you drill below the soaker level.



Some of the rafters, which fit onto the standard multi-holed radius ends will have a pre-fitted plastic bar end cap and bolt. Make sure the shoulder of this cap fits over the rafter bottom cap before installation.

*Note: If the fitting of the rafter is restricted where it fits under the canopy of the ridge or wallplate then loosen both security bolts (when fitted) slide back the aluminium rafter to release the bolt. Locate the bolt through the bottom cap and fixing hole, then slide the aluminium rafter back over the bolt into its finished position.*



On Georgian designed roofs the access to the bottom fixing nut of the Georgian hip can be restricted by the shape of the eaves beams. To help gain access for a 13mm socket lift up the back of the hip rafter as shown in the picture above.



Place the internal stainless steel eaves bracket (**XSC2**) over the hip bolt then fit and tighten the washered nut. Use a 4mm drill to pilot hole through the four holes in the eaves bracket through the eaves beam.



Secure the bracket with four 12mm screws (**XM48-12**).

*Note: An internal bracket (XSC2) needs to be fitted to every hip rafter.*



The non standard radius end (**XRE4**) will have been pre-drilled in the factory with one hole per rafter. This will also have a pre-fitted clip and bolt to attach the radius end bottom cap.



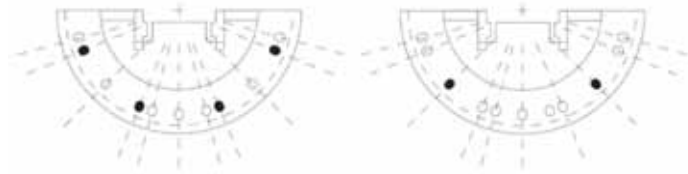
Some of the rafters will be pre-fitted with an aluminium packer. This has been designed to fit between the rafter and radius end as shown. The rafter is then fixed with a flanged nut on the underside of the radius end.



The purpose of this packer is to raise the height of the rafters so that all of the bottom cap glazing gaskets are at the same level.

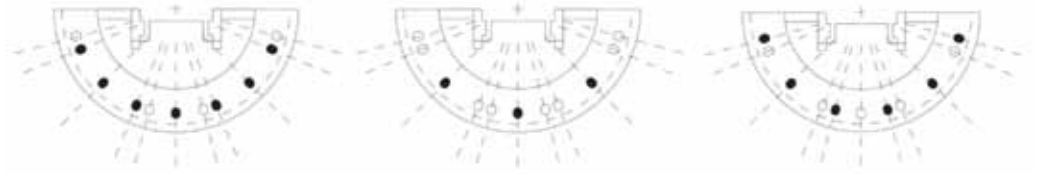
### Standard Radius End

When using a standard radius end then the table to the right is used to establish the rafter positions. It is important that each rafter is positioned correctly or problems will arise with the installation of the remaining roof skeleton and glazing.



Standard 3 facet Victorian,  
no centre rafters

Standard Georgian,  
no centre rafter



Standard 3 facet Victorian,  
with centre rafters

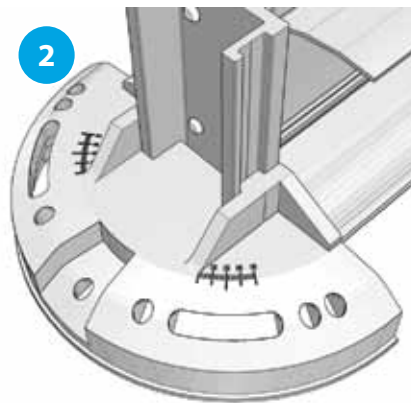
Standard Georgian,  
with a centre rafter

Standard 5 facet Victorian

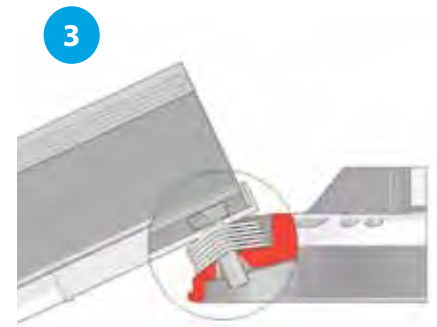
### Drop-nose radius end



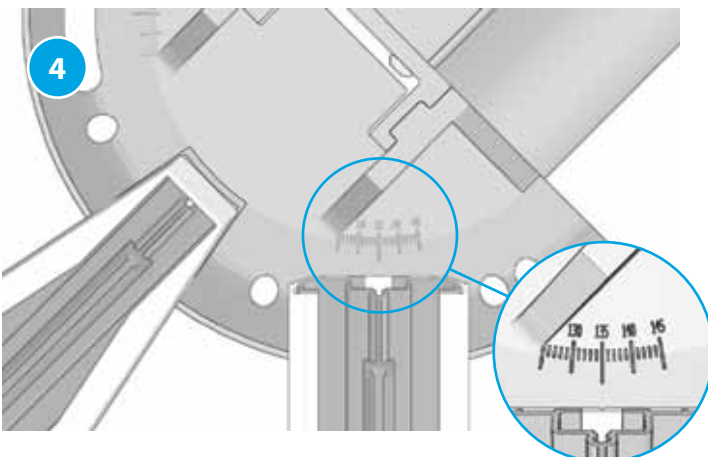
Central rafter section supplied with pre-fitted plastic bar, end cap and bolt. Ensure the shoulder of the end cap fits over the rafter bottom cap before installation.



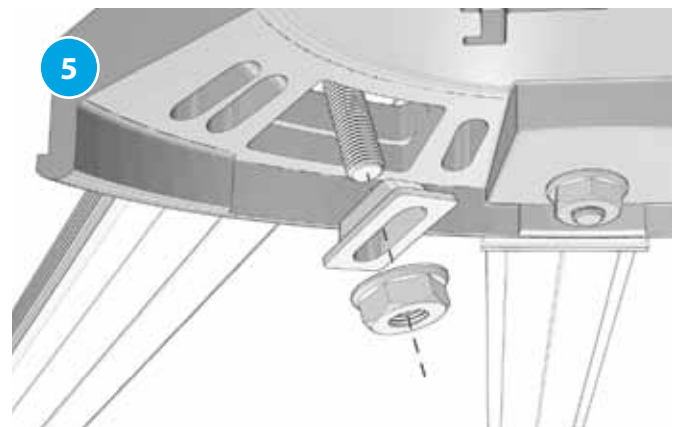
XRE2-G features a recessed drop-nose section to allow central rafter (with packers) to match the glazing level with the Georgian hips.



Insert rafter into radius end. Use appropriate combination of 2mm and 1mm packers to achieve the correct glazing height. Correct number of packers should be pre-fitted to the centre rafter.



The hip angle required will have been marked on the dial shown above. Align centre line of hip with this angle to ensure correct placement.



Fix Georgian hip to radius end using an insert sleeve and flanged nut on the underside as shown. Ensure the nut is fully tightened and secure.



## 4.2 Jack rafter connection

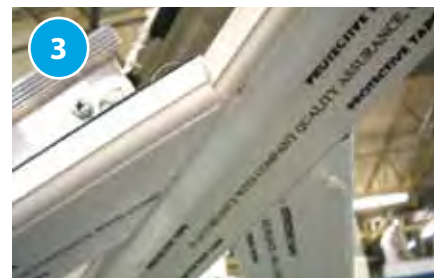


Jack rafters connect onto the hip via a hook fitted to the jack and a spring fitted to the hip. Raise the bottom of the jack rafter and clip the jack hook over the gasket section on the hip rafter. Once the jack is located position the jack rafter bolt into the pre-drilled hole in the eaves beam or valley wing (do not tighten the nut at this time).



Using pliers pull the loop of the spring over the side lug on the jack spring (do not fit the spring under the main hook).

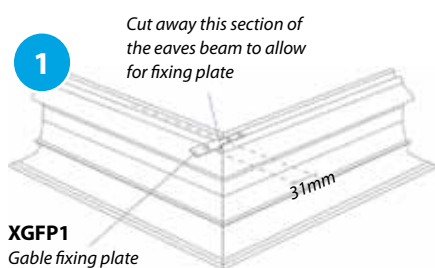
*Note: Check that the hook on the jack rafter does not clash with the hip rafter bolt channel as this could leave a gap between the jack and hip bottom caps.*



Pull up the jack rafter bottom cap so that the milled section fits up to the hip rafter bottom cap. If a slight gap is left this can be helped by elongating the bolt hole in the jack rafter bottom cap. Once this joint has been achieved, fit and tighten the fixing nut.

*Note: These joints may re-open slightly during glazing. Use a rubber or nylon mallet to tap the jacks back into position.*

## 4.3 Gable end rafter



Slide the gable fixing plate (**XGFP1**) in to the bolt slot of the side eaves beams and fix in place with two 10mm screws (**XM48-12**). Position the plate so that the centre of the 10mm hole is 31mm away from the bolt slot centre line of the front eaves beam.



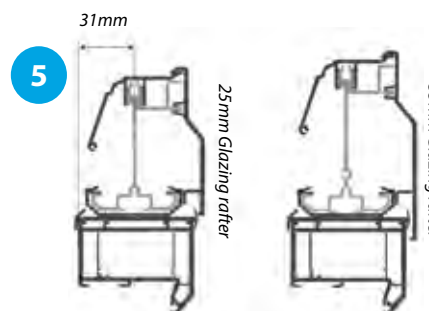
Install the gable frame and infill wedges as described in the in-line gable section.



Place the rafter to frame coupler (**PCO1**) over the gable frame and fit up to the ridge. Mark and cut the coupler so that it finishes level with the end of the infill wedge.

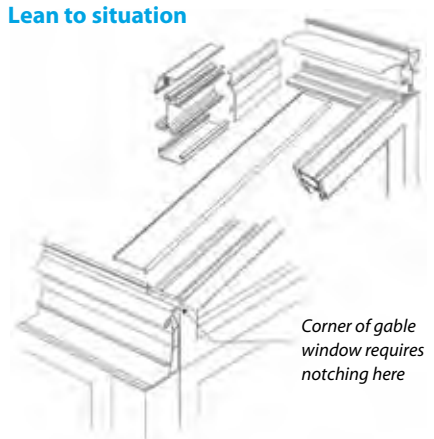


Position the end rafter with the top bolt in the pre-drilled hole in the ridge and the bottom bolt through the gable fixing plate. Fasten the rafter by screwing through the outside of the rafter in to the gable frame.



Glaze the roof as described in the glazing section. The end rafter side cap is fitted over the rafter top cap and clipped on to the end rafter as shown above.

### Lean to situation



*Note: The end rafter fixing bolts are redundant when a lean to gable frame is used.*

## 4.4 Standard valley rafter



It is important to seal the joint between the two rain excluders.

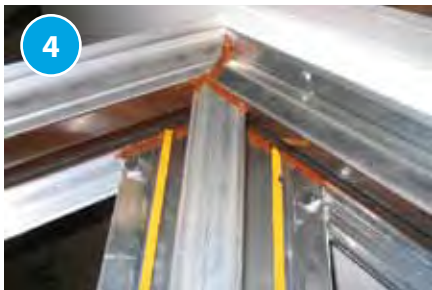
*Note: It is advisable to erect as much of the roof as possible prior to installing the valley rafter. Check to make sure the ridge, wallplate and eaves beams are level and square and match the dimensions on the supplied roof plan.*



A roof with a valley will have been pre-built in the factory. The 3 aluminium components of the valley will arrive arrow-headed at the top and bird mouthed at the bottom. The valley wings will have been pre-drilled in the factory for the connection of the valley and for the connection of the valley jack rafters.



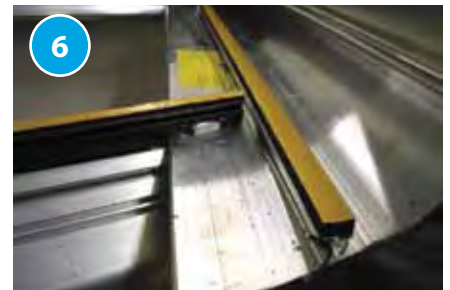
Position the valley rafter so that the holes at the top and bottom of the valley wings match through with those in the ridge, wall plate and eaves beams. The valley rafter can now be bolted in place.



Seal the three valley rafters components back to the ridge, wallplate and rain excluders.



The valley jacks can now be installed by bolting them through the pre-drilled holes in the valley wings, ridge and wallplate.



Finally install the glazing support trim (XPS1), which will be pre-notched to fit over the valley wing and connecting bolt.

*Note: Under extreme weather conditions small amounts of water can be visible on the internal valley wing section. This is normal and will still exit in the standard manner. Make sure the security tape upstand is not blocked up with sealant where it crosses the glazing support trim.*

## 4.5 Drop valley rafter



Establish the position of the wallplate and fasten back to the house wall making sure the wallplate is level. The wallplate should be fixed back at every rafter position - see drawing in Section 9.1 (page 24).



Place and position the valley so that the pre-drilled holes in the valley line through with those in the eaves beams and wallplate.



The valley wing, which misses the wallplate, is designed to fit up to the house wall.

*Note: Occasionally, depending on the roof design, the central valley body may also fit up to the house wall.*



Seal the valley body and wing to the wallplate and rain excluder.



Seal the valley wing to the house wall.

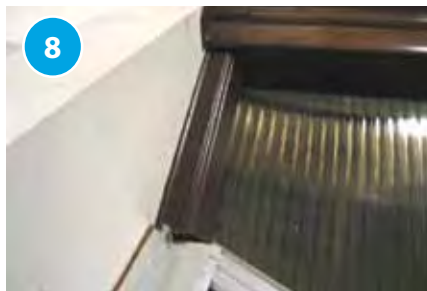


Install the end rafter to the valley wing and ridge and securely fasten back to the house wall.

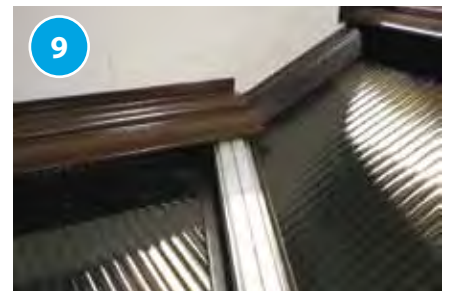
*Note: Make sure that the fixings through the end rafter fall below the soaker channel the drill position is marked with an extrusion line along the rafter.*



Seal along the top and the end of the wallplate and along the top of the soaker rafter.



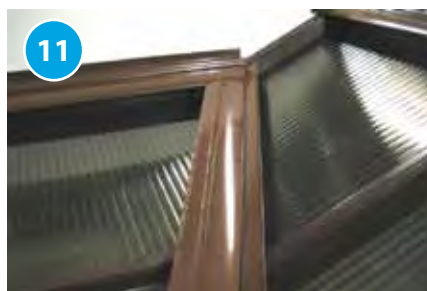
Glaze the valley as described in the glazing section. Fit the wall rafter top cap and seal the end to the wallplate.



Fit the wallplate top cap this will run over the wall rafter top cap.



Scribe and cut the valley top cap around the wallplate top cap. This should be cloaked in lead during the flashing stage.



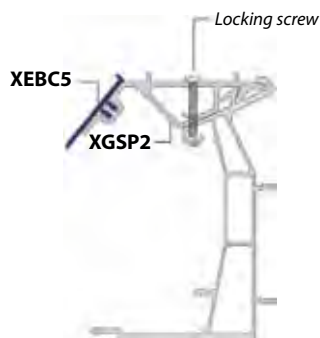
Finished picture showing a correctly clad drop valley.



## 4.6 In-line valley on gable support



Position and fix the gable support platform as shown in the eaves beam section. Fit the external eaves clad (**XEBC5**) on to the gable platform.

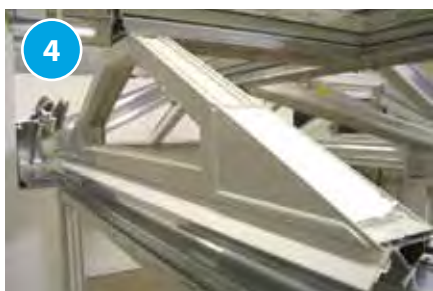


Place the gable frame on to the gable platform. Once it has been correctly positioned so that it is in-line with the frames below, hold it in place by fixing down through the frame in to the platform.

*Note: The gable platform has been designed for use with ConservatoryLand products. Occasionally when used with an alternative profile the inner legs may require removing to allow for the correct positioning of the gable frame.*



The gable infill wedges have been designed for roof pitches from 25° to 35°. If the roof pitch is greater than 25° then the wedges will need to be cut to suit the new roof pitch. Lines have been included inside each section of the infill wedge to assist with this process. Glue the two sections together and insert the insulating wedge before installation.



Once the wedges have been installed they should match the line of the gable frame.

*Note: Gable frames must be face drained.*



Install the top of the valley as previously described in the rafters valley section.



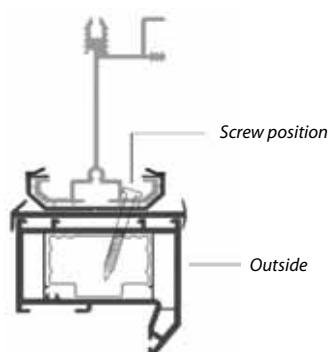
The bottom of the valley is positioned so that the pre-drilled hole in the valley wing, lines through with the pre-drilled hole in the eaves beam. Once the valley wing has been fastened install the glazing support trim (**XPS1**).



Check that the cladding barbs on the bottom of the valley wing do not sit over the infill wedge as this will wrongly position the height of the valley wing. These can be easily cut back with a grinder or hacksaw so that they finish just inside the frame line.



Mark and cut the rafter to frame coupler (**PC01**) so that it fits up to the valley wing.



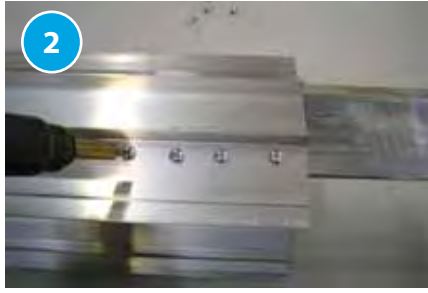
The rafters can now be installed on to the valley.

*Note: The bolts in the end rafters are only used for rafter location. The rafter is secured by fastening through the outside of the rafter with screws in to the gable frame at 300mm centres.*

## 5.1 Joining ridges



Slide the aluminium joiner half way into the body of one ridge.



Secure the joiner with 4 **XM48-12** screws each side of the ridge.



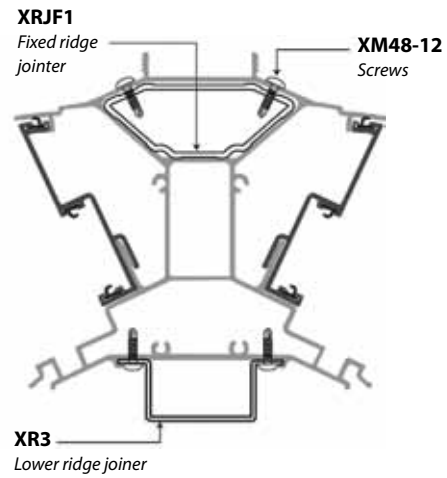
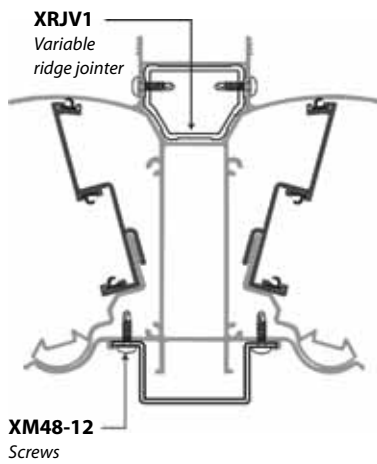
Clip in and secure the lower ridge joiner with 4 **XM48-12** each side.



Slide the other ridge body onto the joiners and repeat the fixings procedure.

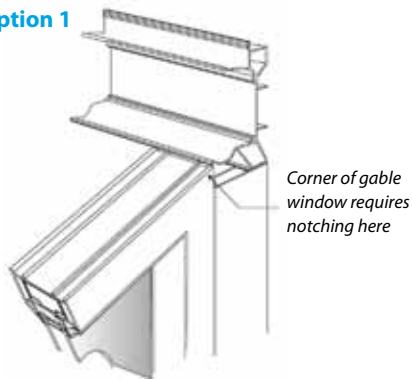


The view of the lower ridge joiner connected via 8 **XM48-12** screws.



## 5.2 Lean to wallplate

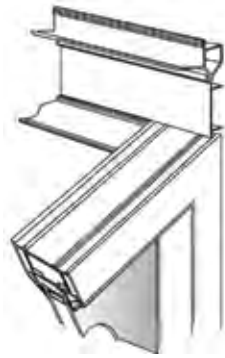
### Option 1



The wallplate sits on a corner post fitted between the house wall and gable window frame.

*Note: The wallplate should be fixed back to the house wall at every rafter position using suitable masonry fixings.*

### Option 2



The wallplate is notched to fit around the gable window frame. This frame is fixed directly back to the house wall.



When a gable frame is used, the end rafter top and bottom bolts become redundant. Screw fix the end rafter to the head of the gable window as shown at 300mm centres.

## 6.1 3 & 5-way tie bars



Place the tie-bar bracket on to the factory fitted bolts and fasten using the supplied 13mm nuts.

*Note: If the bracket is a tight fit over the bolts, loosen the security bolts with a 4mm Allen key fit the bracket and re-tighten the bolts.*



Clip the ridge under channel (XR3) in to the bottom of the ridge so that it is in-line with the tied rafters and fix using 13mm self-drilling screws (XM48-12).



Place the ridge under cladding on to the bottom of the ridge and clip it in to position using a rubber or nylon hammer.



Centralise the ridge tie-bar bracket with the tied rafters making sure it runs in-line with the ridge. Drill 4 x 5mm pilot holes and fix using the 4 supplied screws within the tie-bar kit. Cover the screws heads with the push on screw covers.



Fasten the clevis to the bracket using a bolt and 17mm nut. On a three-way tie-bar three clevises will be required, one for each rafter and one for the ridge.



Determine and cut the 3 lengths of threaded rod and rod covers. Screw one end of each rod at least 20mm into each clevis. Slide on the rod covers then push the remaining ends into the central boss.





Tighten the three nuts in the central boss with a 17mm spanner until the window frames are plumb and the internal roof dimensions are correct. Make sure the rods are plumb and level.

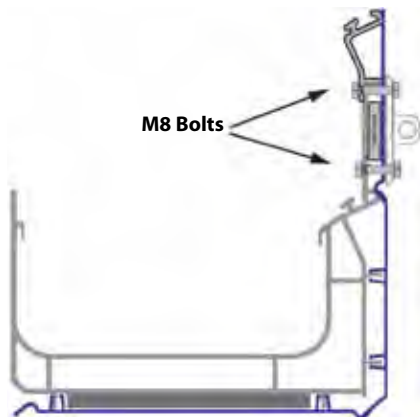


Use the supplied double sided tape to fit the central boss covers to both sides.



Cover all of the exposed nut and bolt heads with the supplied push on cover caps.

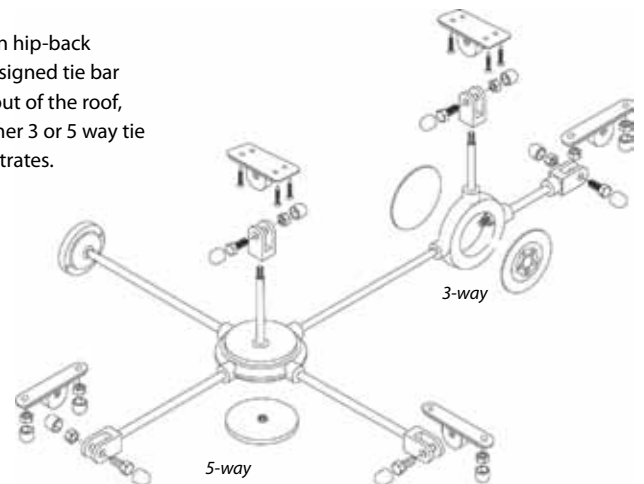
*Note: To establish the length of the rod covers, assemble the tie bar with just the threaded rods then measure for the covers. The tie bar will then require re-assembly.*



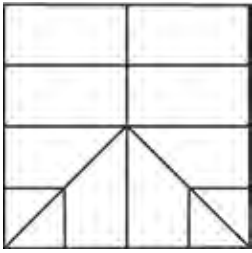
On certain roofs designs that contain raised leg box gutters the tie-bar bracket requires fixing to the raised leg section. Make sure the void between the cladding and aluminium plate is packed out. Fix using 2 x **M8-30** fixing bolts.

#### 5-way tie bars

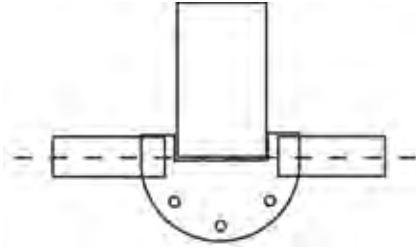
These are generally supplied on hip-back P shape designs as part of a designed tie bar system. Depending on the layout of the roof, this system can incorporate other 3 or 5 way tie bars as the drawing (right) illustrates.



## 6.2 In-line tie bar

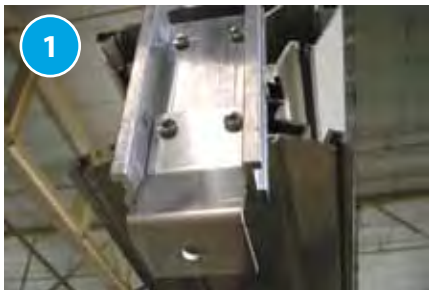
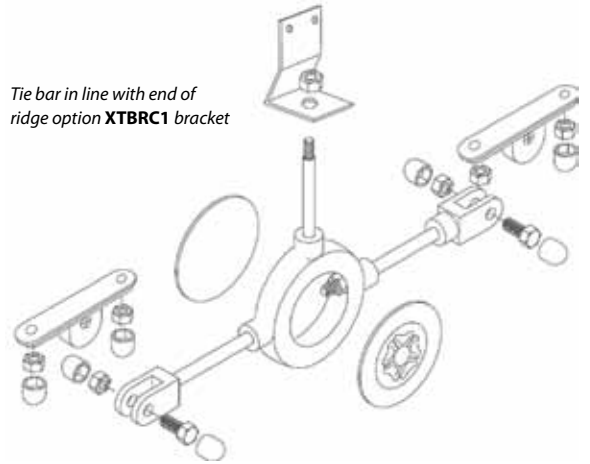


This option of tie-bar is used when the centre of the tied rafters run in-line with the end of the ridge.



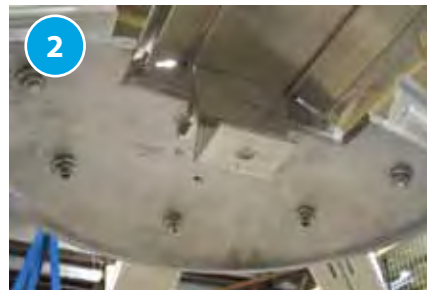
In this situation the tied rafters will be fitted on to the radius end, which will be the **XRE4** nonstandard radius end.

Tie bar in line with end of ridge option **XTBRC1** bracket



Remove the bottom two machine screws, which hold the radius connector (**XRE1**) to the ridge. Place the tie-bar bracket (**XTBRC1**) over the removed screw holes and fix using the removed machine screws.

*Note: The radius end (XRE4) has been removed for photographic purpose only.*



Picture showing the position of the tie-bar bracket once installed.



Fit the bracket and clevis to the two rafters as described in the standard tie-bar section. Determine and cut the threaded rods and rod covers and screw the rod ends in to the clevises.



Place the rods in to the central boss, making sure they are level. Measure and cut the drop rod making sure it passes through the top bracket.



Fit the radius end bottom cap (**XREC2**) this will be pre-drilled with a 10mm hole. Pass the drop rod through the bottom cap and bracket and fit the 17mm nut to the end of the rod.



Fit the rod covers and tighten the nuts within the centre boss until the frames are plumb.



Cover all of the exposed bolt heads and nuts with the supplied cover caps.

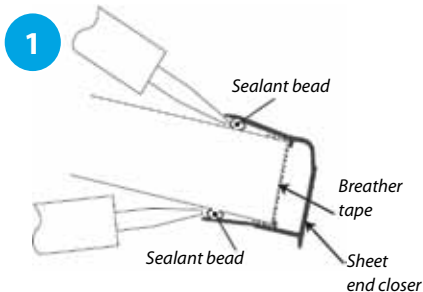


Fit the two central boss covers using the supplied double sided tape.

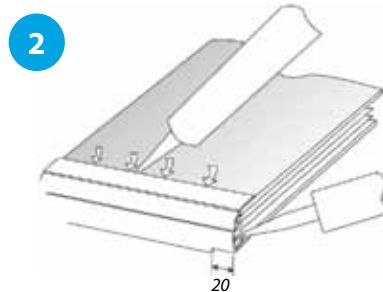
## 7.1 Fitting the roof sheets

Careful consideration must be given to the sequence of glazing a conservatory roof. Please consider the following points:

- Sequence the glazing so access is available for sealing the critical ridge areas
- With glass roofs, sequence the glazing so loadings are progressively balanced across the ridge
- Allow access to box gutters for fixing of rafter end caps.

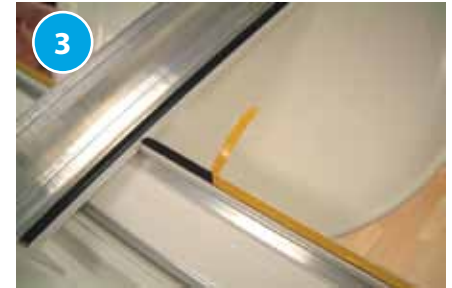


Cut the sheet closer to the bottom width of the panel and remove the drip 20mm in from each end. Slide the closer onto the end of the panel. Push the sealant nozzle under the lip of the closer and run a continuous line to form a seal onto the roof sheet.



Seal the bottom lip of the closer to the sheet and then seal up the open ends. Clean away any excess sealant.

**Note:** Ensure the closer is sealed to the panel and not the breather tape!



Peel back a start on the support trim security tape so it can be pulled off from the inside when the panel is in position.



Offer the roof panels into position so they are central between the rafters. See the notes above for positioning panels.



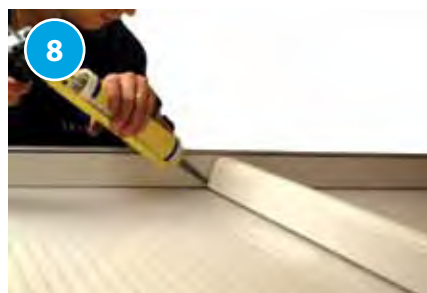
With the panel in its final position, remove the film from the security tape on the support trim and press the panel down. If the roof is 10° pitch or lower then run a sealant line between the underside of the roof sheet and the support trim.



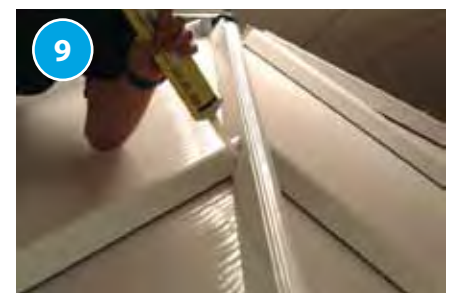
With a roof panel in each side of the rafter, knock the rafter top cap down onto the rafter using a rubber headed mallet. Use a piece of timber when knocking on the foiled aluminium top caps to avoid denting the caps.



Jack rafter top caps are supplied over size and will require cutting down on site. Foiled aluminium top caps are supplied with the gasket over-length.



Seal the rafter top cap to ridge rain excluder joint.



Seal the jack to hip rafter top cap joint.

**Note:** It is vital that the aluminium top caps are not damaged during installation as this can cause them to spread and will result in a loss of glazing compression (see fig. 6 above).



## 7.2 Glazing the valley



Roof panels at the top of the valley may require the jack rafter to be released to allow the panel to be positioned. This is best done without the panel having the end closer fitted.



Remove the film off the security tape and press the panel down once in position. Re-connect the jack rafter and then slide the end closer up onto the roof panel as shown.



Push the sealant nozzle under the top lip of the end closer and run a continuous line of sealant to form a gasket.

## 7.3 Glass roofs



Secure each glass retainer with the 2 screws provided. Transom rafter glass retainers should finish flush with the end of the rafter as shown.

*Note: XGS6 packer within sheet closer.*

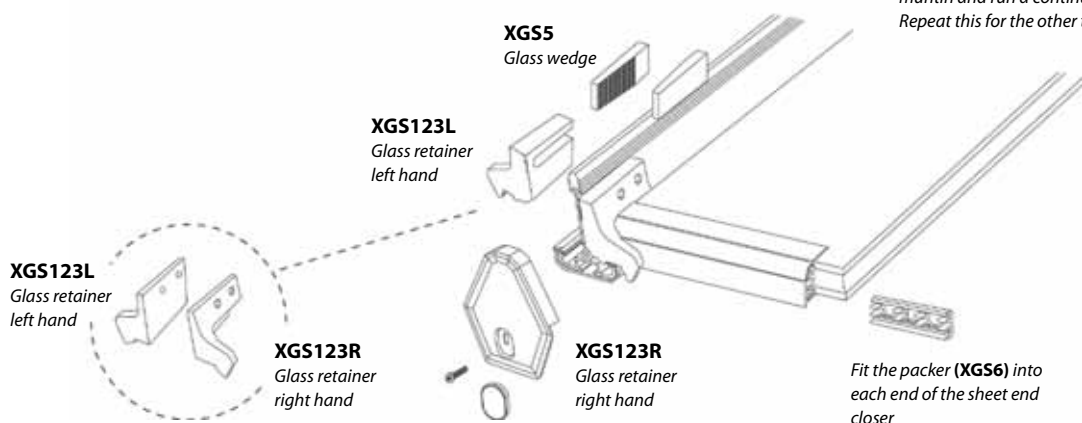


Please note that the hip rafter glass retainer when pushed up to the roof glass will be fixed shy of the rafter end.



Wedge packers should be used to pack the glass between the rafters, 2 packers per corner are supplied.

*Force the nozzle of the sealant gun under the gasket edge of the muntin and run a continuous line of sealant to form a gasket. Repeat this for the other three edges and remove any excess sealant.*



**Secure each glass retainer with 2 No. XM425 screws**

*Fit the packer (XGS6) into each end of the sheet end closer*

*Note: Long span rafters use thinner glass retainers XGS4 and NO wedges*

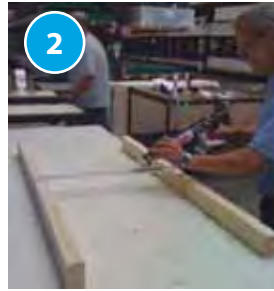
Glass roofs are supplied with glass kits as shown above. Position the glass and push the glass retainer up to the sheet closer and screw it into position using the **XM425** screws provided. Wedge the glass against the retainer using the wedges when provided.

## 7.4 Fixing the muntin bar

Larger roofs may come supplied with muntin strip to join units together. Assemble the two units and the muntin strip dry within the roof.



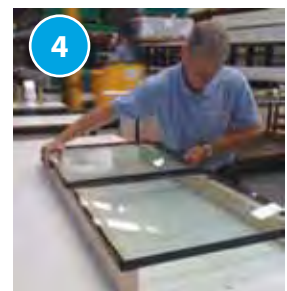
Lay the aluminium extrusion between glazing bars.



Apply a narrow band of low modulus sealant along both sides of the aluminium glazing connector. Run finger along glazing connector to remove excess sealant.



Lay first glazing panel onto glazing connector.



Lay second glazing onto glazing connector.

*If using a self cleaning glass a polymer based sealant must be used.*



Without using excess force, gently bend the sides of the PVCu connector cap towards you.



Apply a narrow bead of sealant along both sides of the PVCu connector cap.



Run finger along PVCu connector cap remove excess sealant.



Put PVCu connector cap in place above the aluminium glazing connector.

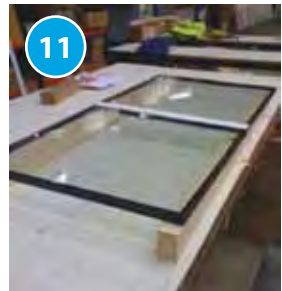


Press firmly until PVCu connector cap engages into the channels of the aluminium glazing connector.

*Note: For wider spans it may help with engagement of the PVCu connector cap if a second person supports the aluminium glazing connector from underneath.*



Still pressing down firmly, move your hand and thumb along the remainder.



With a cloth wipe off excess sealant, fixing complete.



It is advisable to run a small bead of sealant on the rafter bottom cap to bed the muntin bar on.



It is recommended that a short bead of sealant is applied over the connector gap gaskets at the points where the glazing bar capping seals make contact with them.

## 7.5 Fixing the roof vent

**Place roof vent PVCu frame onto the glazing bars, above the lower glazing panel. Make sure it is centrally located between the glazing bars.**



Apply a thin bead of sealant to the lower glazing support bar.



Run finger along connector to evenly spread sealant, place glazing onto support pressing down to ensure seal, remove excess sealant.



Apply additional beads of sealant along the edges of the glazing panel and the PVCu frame.



Locate the PVCu glazing connector cap and, working from one end to the other, press down firmly to engage the snap lock.

Repeat steps 1 and 4 on the upper glazing panel junction.



It is advisable to run a small bead of sealant on the rafter bottom cap to bed the vent muntin bar on.



It is recommended that a short bead of sealant is applied over the connector gap gaskets at the points where the glazing bar capping seals make contact with them.



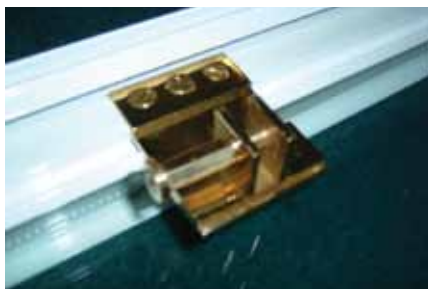
Wipe any excess sealant off after the glazing bar capping has been fitted.



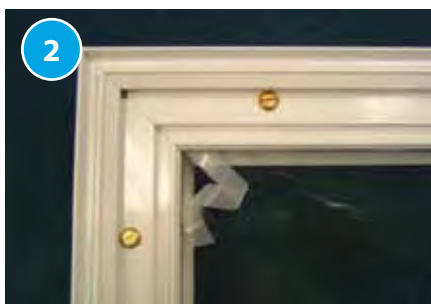
The sash must be held at about 95° to the plane of the roof to engage onto the hinge. Hook the outer channel on the underside of the frame, onto the aluminium hinge as shown and rotate the sash to the closed position to engage the hinge.



## 7.6 Roof vent site glazed assembly

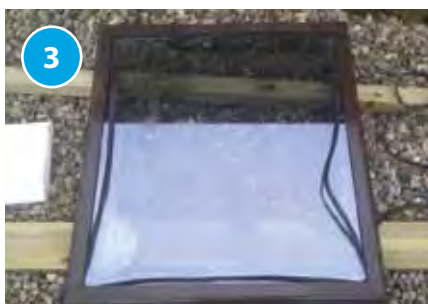


With the aluminium sash frame laid on a flat surface with the underside uppermost, undo all the visible screws and remove the aluminium glazing beads and the quick release coupling.



Place the glass panel inside the frame and re-fix the aluminium glazing beads making sure that the ends of the foam tape release liner are accessible. The glazing beads must be relocated to the same sides as they were originally fitted.

After making sure the glass panel is central to the frame, remove the release liners from each glazing bead. While slightly raising one end of the assembly, push the glass panel onto the adhesive backed foam tape from underneath.



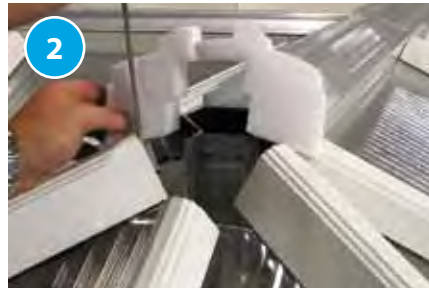
Once the panel has been stuck to all four glazing beads turn the assembly over and insert the wedge gasket between the glass and the top surface of the aluminium frame.

Start and finish the gasket in the centre of the top edge of the sash. Each corner should be nicked at the back and fitted first with the gasket relaxed between the corners so that the gasket can be completed without the gasket being stretched.

## 8.1 Fitting the foam bung



1 Fully glaze and cap all of the rafters, which fall onto the radius end.



2 Using a hacksaw blade cut down the width and height of the bridged section of foam bung, so that it fits snugly between the rafter top caps, and finishes level with the top of the ridge.



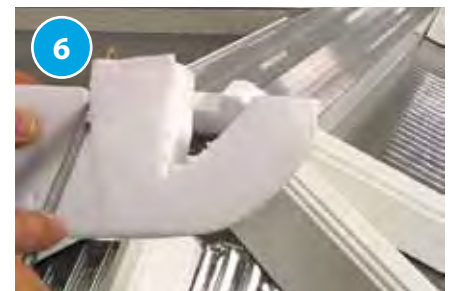
3 Remove the bung and sealant seal around the ridge profile making sure the sealant runs down to the glazing level on both sides.



4 Insert the cut down section of bung making sure it is pushed firmly in to the sealant seal.



5 Test fit the half round foam bung making sure the chamfer runs downwards.



6 If the bung is too large for the aperture, cut two v-notches in to the bung using a hacksaw blade.



7 Adjust the size of the v-notches depending on the size of the aperture.



8 Push the bung in to the aperture so it finishes just above the rafter top caps.



9 Sealant seal the joint between the two foam bungs including the joints between the two v-notches.



10 Finally run a continuous seal around the foam bung so it is sealed to the glazing and rafter top caps.

## 8.2 Ridge corner joint



Some corner ridges will have a radius end detail. Cut the foam bung components down to fill the void.



Completely seal the rafter top caps and roof sheets to the face of the foam bung. Seal the foam bung to the end profiles of the ridge.



Fit the ridge top caps to the ridge body as per the photo above. Note the removal of the crestring upstands.



Position the ridge top cap corner cover **XPT90** and drill 2 No. 5mm holes per side (8 total).

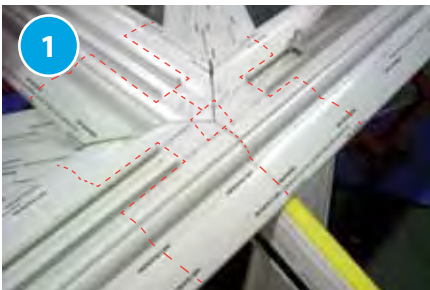


Apply sealant to the ridge top in the area below the **XPT90**.

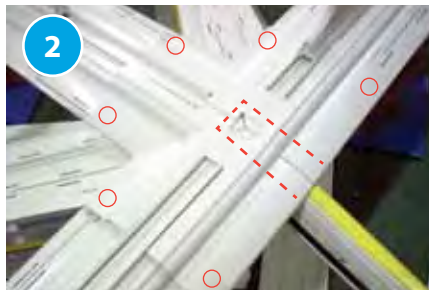


Fix the **XPT90** into position using the 8 plastic rivets (**XREC3**) provided. Clean up and remove any excess sealant.

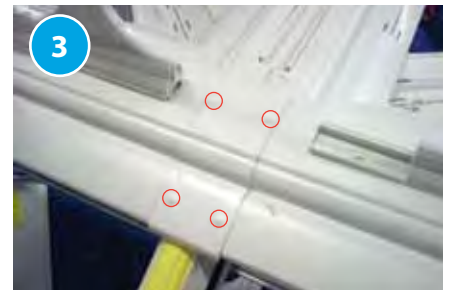
## 8.3 Ridge 'T' joint



Fit the 3 separate ridge top caps leaving a tight mitred joint. Remove protective tape and apply lines of sealant as shown in red above. Note that the crestring track has been removed.



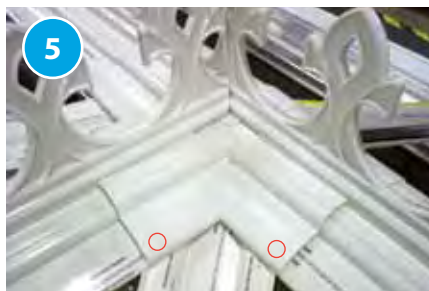
Position the 2 covers onto the joint over the lines of sealant. Compress the joint and rivet the covers to the ridge top caps in the 6 positions shown. Use the plastic rivets provided through 5mm diameter holes.



Seal and rivet the rear joint cover to the previous covers completing the joint. Remove excess sealant ensuring the edges of all joint lines are sealed.



The run of crestings can now be slid along the ridge top cap over the joint. The bottom legs on the crestring should have been removed to allow this.



The adjacent line of crestring can now be slid into place over the joint.



The completed assembly.



## 9.1 Ridge & wallplate top cap



1 Centralise the two clips on the ridge top cap with the two barbs on the main ridge.

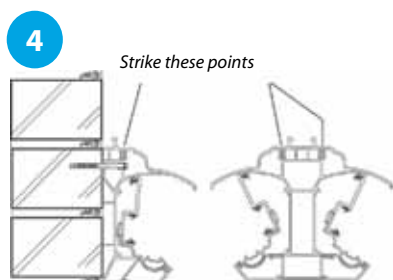


2 Starting at one end knock the top cap in to position using a rubber mallet.

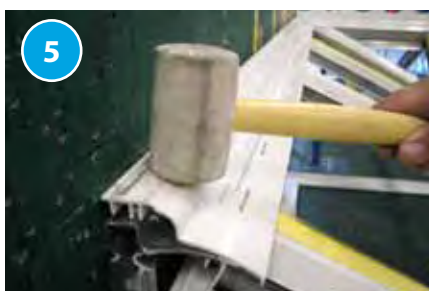


3 The top cap is in it's correct position when the wings of the top cap touch the wings of the main ridge.

Refer to Section 9.2 for fitting the aluminium ridge top cap (page 22).



4 Make sure the correct position is struck when fitting the top caps. In colder weather conditions a block of timber can be used to spread the impact over the PVCu top cap.



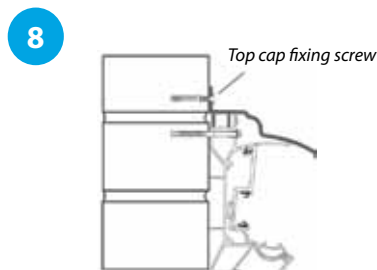
5 The PVCu wallplate top cap is exactly half of a ridge top cap and is fastened in the same manner.



6 The painted aluminium wallplate top caps do not clip onto the wallplate, but are held in place with plugs and screws.



7 An extrusion line has been incorporated along the back upstand of the aluminium wallplate top cap for the positioning of the fixing screws.

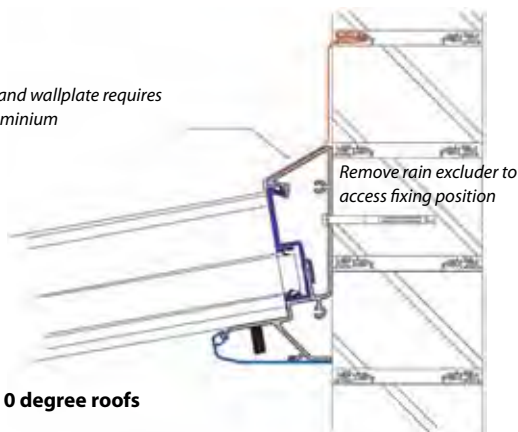


8 Picture showing the positions of the wallplate fastening and the top cap fixing screw. In the event of the wallplate being supplied in 2 sections, ensure an adequate seal is applied between the 2 sections of Rain Excluder prior to fitting the wallplate top cap.



9 Bay and hip-ended lean to roofs require a radius end top cap. This should be sealed and secured to the wallplate top cap with the plastic rivets supplied.

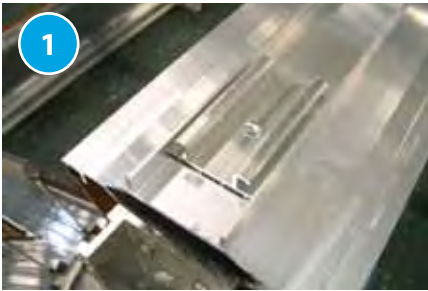
There is now NO top cap and wallplate requires flashing over to cover aluminium



Revised Lean to Wallplate Design for 5 and 10 degree roofs

Note: This wallplate will always be notched to sit around the gable window frame as shown in option 2 (page 12).

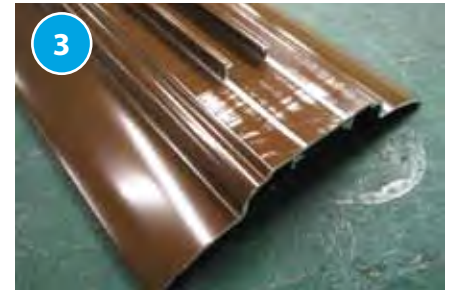
## 9.2 Ridge flashing trim (standard roofs)



The painted aluminium ridge top caps are attached to the ridge using clips (XR4), which are pre-fitted to the main ridge during manufacture.



First prepare the ridge for the fitting of the ridge flashing trim (XFT1). Place the flashing trim over the wall end of the ridge top cap and mark where its front edge finishes.



Using a hacksaw cut back the creasting upstands up to the mark line making sure they are cut level with the surface of the top cap.



Run two continuous beads of sealant over the ridge top cap where the creasting barbs were removed.

*Note: Do not use screws to fix cap, use rivets.*



Fit the flashing trim and fasten using the supplied push fit rivets through a 5mm drilled hole.

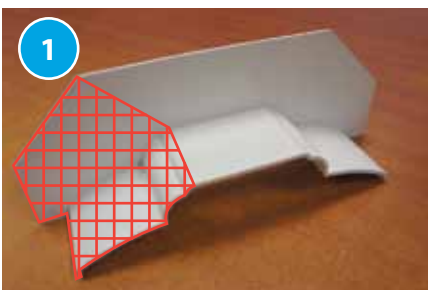


Slide the ridge top cap onto the ridge.

*Note: Slide the ridge top cap onto the ridge before the fitting of the hip rafter top caps. Always check the roof design to make sure the top cap can be fitted without restriction.*

### 9.2a Ridge flashing trim (p-shaped roofs)

**To seal the ridge and wallplate of P and T-shape roofs to the host wall the ridge flashing trim and corner cover trim will need to be cut and adapted to suit.**



Cut away the shaded section of the flashing trim that fits next to the wallplate top cap. This will allow the flashing trim to seal fully across the cut away section of the creasting channel.



Cut away the shaded section of the corner trim so it fits against the ridge flashing trim.



How they will look when fitted. Please ensure components are sealed as per other ridge top cap assemblies.

## 9.3 Radius end top cap



The radius or gable end of the ridge top cap will have been notched during manufacture. Cut off the creasting barbs so that they finish level with the notch depth. File this area flat.



Run two beads of silicon over the ridge top cap.

*Note: The foam bung will need to be fitted prior to the fastening of the radius end top cap.*



Fit the radius end top cap and fasten using the push fit rivets through 5mm drilled holes.

**XRECG1**  
Shallow skirt



**XRECG2**  
Deep skirt



Certain roofs will be supplied with blank radius end top caps that require the skirt notching around the rafters.

A non-skirted version is available as an extra if required.

**Certain roofs will have the radius end top cap pre-notched:**

**XRECG4**

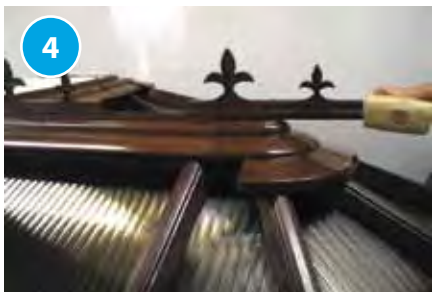


Supplied when no centre rafter and roof pitch is 25° on all sides.

**XRECG5**



Supplied when there is a centre rafter and roof pitch is 25° on all sides.



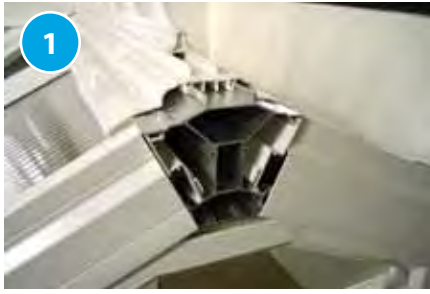
Slide the creasting over the radius end top cap into the creasting channel. The length of the last creasting may require shortening to fit behind the finial point.



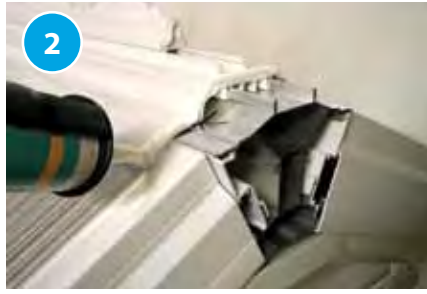
Finally insert the finial by turning it in to the screw port in the radius end top cap.



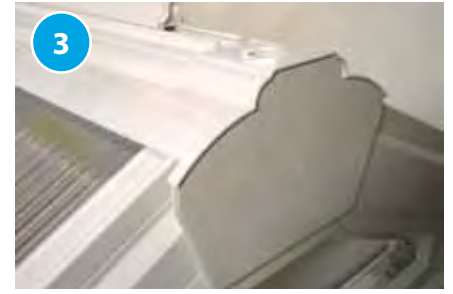
## 9.4 Gable end top cap



Fit the ridge top cap so that the pre-notched crestring channel faces to the front and finishes 50mm back from the front of the ridge.

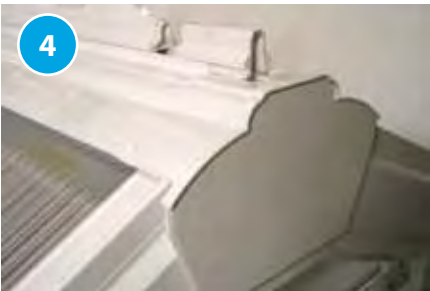


Remove the first section of crestring. Run two continuous lines of sealant over the full width of the ridge top cap.



Fit the gable end top cap. Drill through the two caps using a 5mm drill and fix in place with the supplied push rivets.

*Note: Do not use screws to fix cap, use rivets.*



The last crestring length may require shortening to fit behind the finial point. Slide the crestring over the gable end cap into the crestring channel.

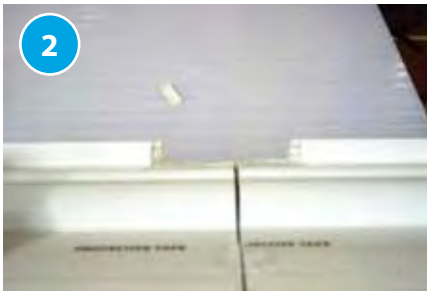


Screw the finial in to gable end top cap.

## 9.5 Ridge top cap joints



The ridge top caps are joined via the plastic joiner. Centre the joiner over the joint and mark the crestring upstands each side.



Cut away the crestring upstands and file the ridge top cap smooth in this area.



Sealant seal the ridge top cap butt joint in the area below the joiner.



Place the joiner over the sealant joint and slide the crestings back into place.

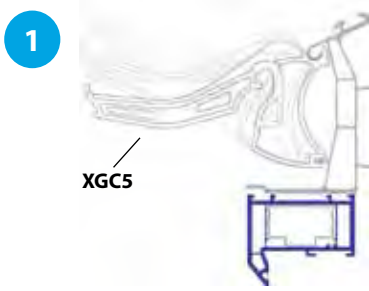


Drill 2 No. 5mm holes each side of the joiner and fit the rivets supplied.



Repeat the process for the other edge on the joint.

## 10.1 Guttering



Position the top of the gutter bracket (**XGC5**) in to the eaves beam monkey tail. Rotate the bracket downwards until the bottom of the bracket clips in to the eaves beam clip. A nylon or rubber mallet can be used to locate the clips if required.



Position the brackets at a maximum of 600mm centres and a maximum of 150mm in from each end of the eaves beam.



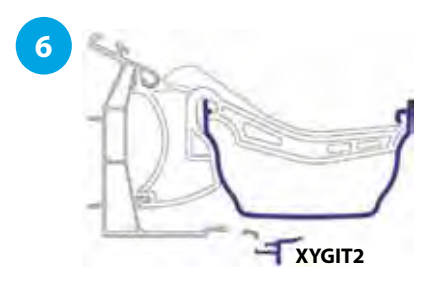
Position the main gutter so that the monkey tail clip faces outwards. Push the back of the main gutter (**XYGUT2**) up in to the gutter bracket clip (**XGC5**). Continue this procedure until the back of the main gutter is installed in to all of the gutter brackets.



Pull up and clip the front of the gutter bracket in to the main gutter monkey tail.



Next fit the gutter corner unions, this is made easier by lifting up the front of main gutter.



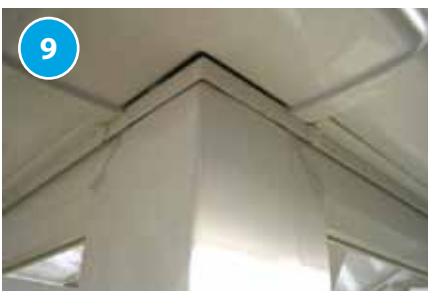
The gap between the bottom of the gutter and the top of the frames is cloaked off with an under gutter trim (**XYGIT2**).



The gutter under trim is sent oversize. Measure and cut the trim so that it fits between the gutter unions, stop ends or both.



An injection moulded trim will be supplied to fit under the angled gutter unions. These have been designed for 90° and 135° gutter unions.



These are installed by pushing them up in to place under the gutter union.



When a running outlet or stop end are used a straight under gutter trim (**XUGT180**) will be supplied. This will require marking and cutting to length.

*Note: Ensure all gutter union gaskets are fully inserted into the fitting prior to fitting the gutter. Use a sealant lubricant on the gaskets to ensure correct fitting and ease of installation*

## 10.2 Gutter union to box gutter



Remove the screw lug off the end of any gutter union that fits on to a box gutter adaptor.



On straight unions the support webs will also need to be removed on the back and bottom sides.



Slide the union over the adaptor making sure the union gasket remains in situ.



The box gutter end cap can now be installed. On some roof designs this may need trimming to suit.



The end cap is then fitted by pushing it in to the end of the box gutter.



Finish off by fitting the main gutter and under gutter trims.

## 10.3 Gutter spigot



Gutter spigot XC9077BLK.

*NOTE: Gutter spigot X\*R400 has now been withdrawn and replaced by XC9077BLK.*



Using a 60mm diameter hole saw cut a hole through the stop end XYR SY2, using the drill indent in the stop end as the central location point.



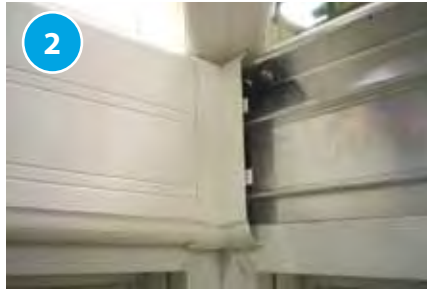
Push fit **XC9077BLK** until it clips in to position.



## 11.1 Internal eaves cladding



Eaves Beam: Seal all of the internal corner joints.



Place an internal eaves clad joint on to the end of an internal eaves clad. Position the clad over the eaves beam so that its clips line up with the eaves cladding barbs. Knock the cladding on using a rubber mallet.



Slide the next section of eaves clad in to the eaves clad joint and knock the eaves clad in to position as before. Carry on with this procedure until all of the eaves clads are fitted.

## 11.2 Internal ridge cladding

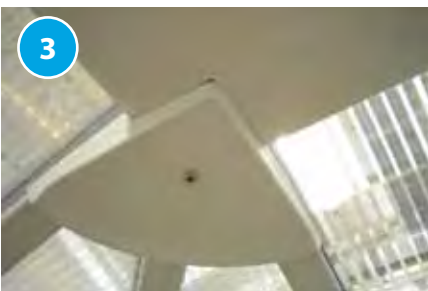


Ridges: Prior to fitting check the length of the ridge under clad by measuring the distance of the ridge up to the radius end bottom cap, which can be fitted first. Place the ridge under cladding on to the bottom of the ridge and clip it in to position using a rubber or nylon hammer.

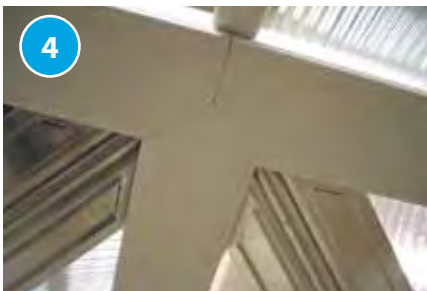


The radius end bottom cap is either fitted by clipping it on to the radius end or using a nut and bolt. This will depend on the type of radius end used. When the large radius bottom cap is supplied it is fixed with a nut and bolt.

*Note: A larger radius cap XREC6 is available when multiple rafters are used to cover arrow head cuts.*



The quarter radius end bottom cap is fitted with a nut and bolt. Fit this prior to fitting the ridge under clads.



Typical detail showing the intersection of multiple ridges. These under clads will be cut to suit during manufacture.

## 11.3 Internal valley cladding



Valley: Fit the internal eaves beam clads and eaves clad joint.



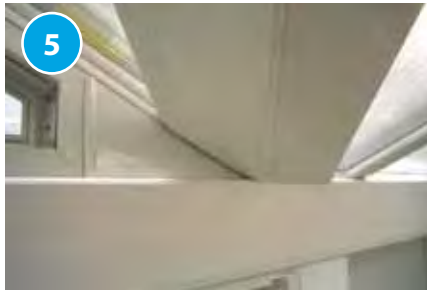
Fit the ridge bottom caps. Each internal valley wing clad will be cut oversize and will require trimming. Fit the top of the clad up to the ridge bottom caps.



Trim the bottom of the valley clad so it fits up to the internal eaves beam clads. Attach the valley clad in the same manner as the internal eaves clads.



Repeat the process to fit the second valley bottom clad.

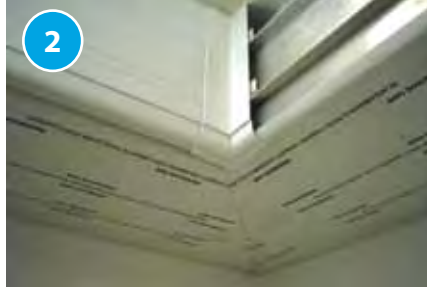


Picture showing how a valley finishes against an in-line gable frame. The valley wing clad, which fits against the gable will need to be trimmed to suit.

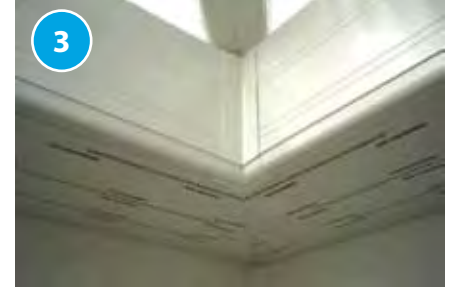
## 11.4 Box gutter cladding



Box Gutter: Position then knock the box gutter under clad in to position using a rubber mallet.



Fit the box gutter side clads in the same manner as the internal eaves beam clads.



How the box gutter should look once it is fully cladded.



Raised Leg Box Gutter: Fit all of the internal side clads as standard.



Extra box gutter under clad is supplied to cloak of the remaining raised leg section.



Measure and cut each individual section out of the extra under clad. This will clip down in to the already fitted side clad. The top will need to be fixed to the raised leg section with double sided tape or gunnable glue (not supplied).

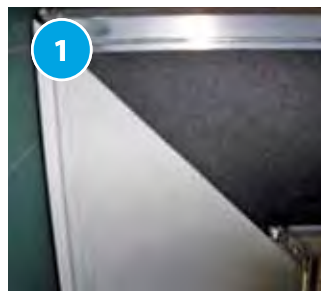


A flexible corner fillet is supplied to cover the corner of the raised leg section this is fixed with double sided tape (not supplied).

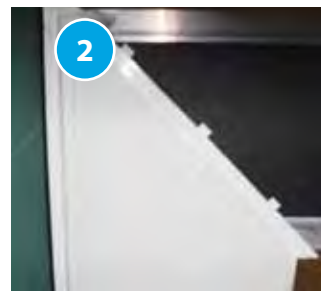
### Now available: Box Gutter Clad Joiner



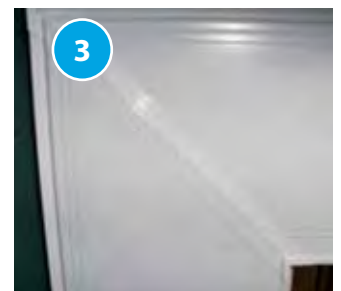
Add the finishing touch to a box gutter and make a difference to the overall appearance with a ConservatoryLand box gutter clad joiner.



Attach box gutter under clad (**XBGC1**).



Attach joiner to cladding (**XBGCJ901**).



Attach end of second cladding slide to join, continuing cladding as normal.



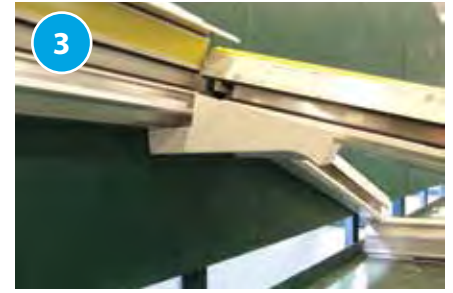
## 11.5 Internal wallplate cladding



**1**  
Wallplate Bottom Cap: Position the bottom cap making sure the bottom clip fits over the wallplates bottom barb. Using a rubber mallet knock the front bottom cap clip on to the wallplate in a continuous run from one end.

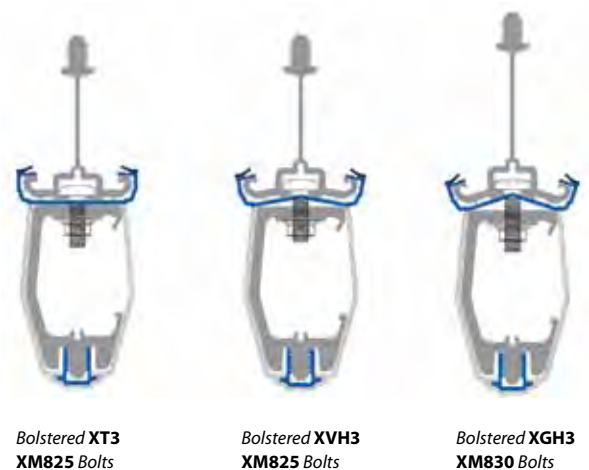
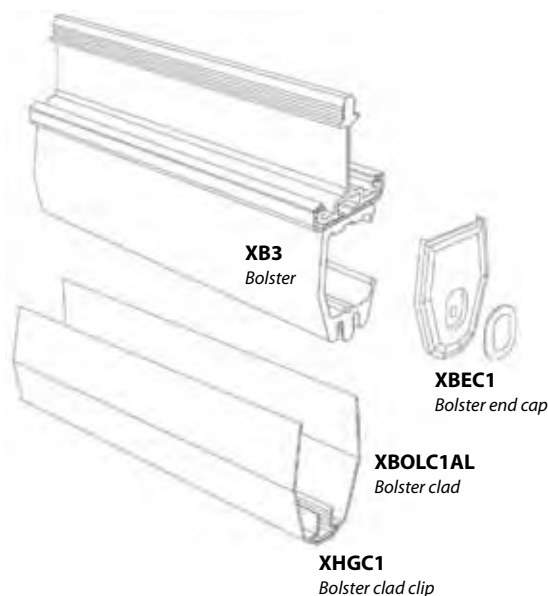


**2**  
The internal half radius end cover is connected using the nut, bolt and bolt cap provided.

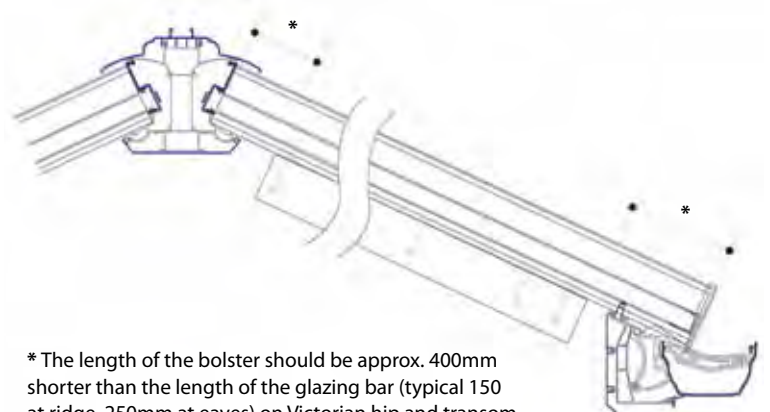


**3**  
The internal half radius end cover should be scribed to fit around the wallplate.

## 12. Bolstered rafters

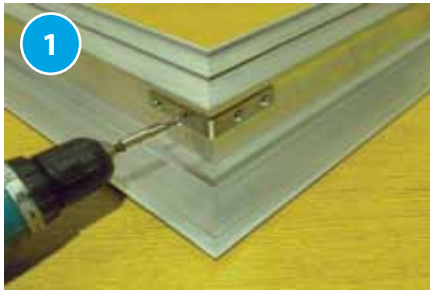


- Very long transom and hip rafters will require additional reinforcement in the form of an aluminium section bolted to the underside of the bar. The bolster should arrive pre-fitted to the rafter.
- The bolster cladding **XBOLC1AL** (foiled or painted aluminium) finishes flush with the bolster bar at both ends. Attach the cladding to the bolster bar using a rubber mallet with a clean piece of timber to avoid denting or damaging the cappings.
- Each end of the bolster should be finished with the end cap (**XBEC1**) screw fixed onto the bolster bar.

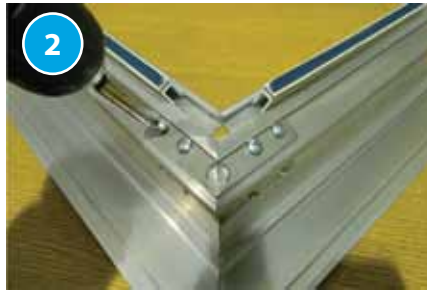


\* The length of the bolster should be approx. 400mm shorter than the length of the glazing bar (typical 150 at ridge, 250mm at eaves) on Victorian hip and transom rafters. This can increase to 200 top and 300mm to the bottom on Georgian hips.

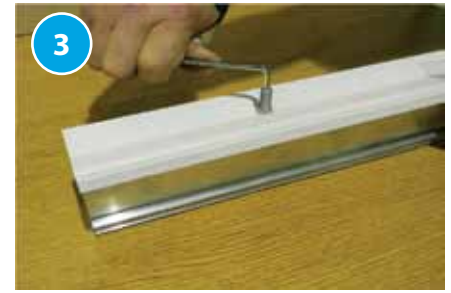
## 13 Wide span roofs



Join the eaves together using one of the external corner connecting brackets (**XSC1**) using four supplied 12mm fixing screws (**XM48-12**). Make sure the bracket is positioned between the two die-lines in the eaves beam.



On wide span roofs two angled corner connecting brackets are supplied per corner. Fit one to the top outer eaves beam corner and fix with four supplied fixings screws (**XM48-12**) as shown.



Using a 4mm Allen key fully tighten both of the tie bolts in the hip rafter.



Fit the hip rafter and place the remaining angled corner connecting bracket over the tie bolt and fit and fully tighten the 13mm fixing nut.



Finally install all four supplied fixings screws. (**XM48-12**).



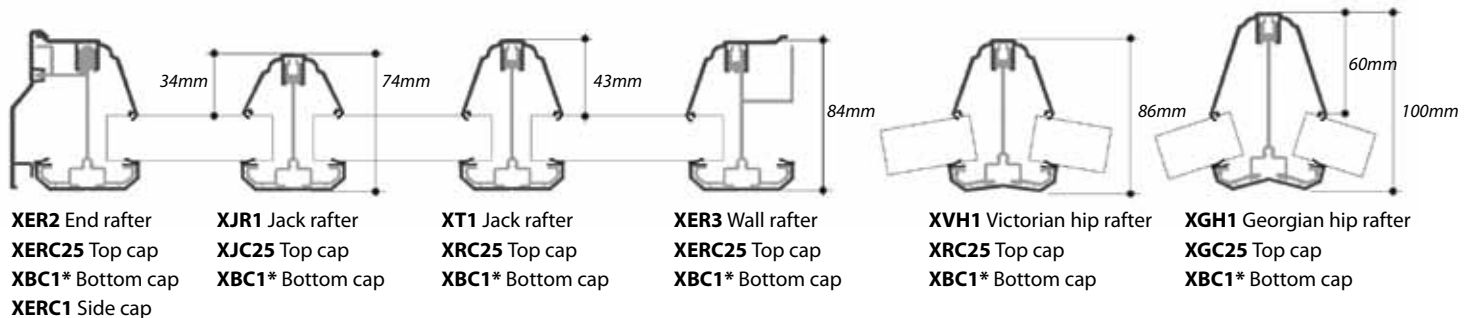
**Double drop tie bar**

*Note: Double drop tie-bars can be used to allow for ceiling fans and may have to be used on wide span roofs when the width exceeds 6300mm*

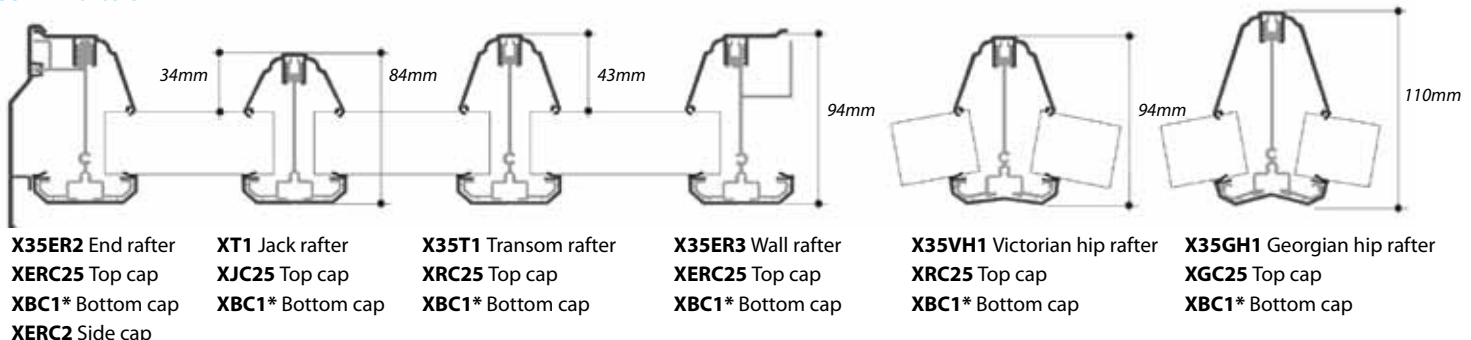
*Due to the increased loadings throughout the roof and frame structure it is important that care is taken in using suitable fixings to secure the frames and roof to the host wall. Extra care is required in making sure all of the fixings are fully tightened as failure to do so could potentially lead to movement within the conservatory structure.*

## 14 Useful information

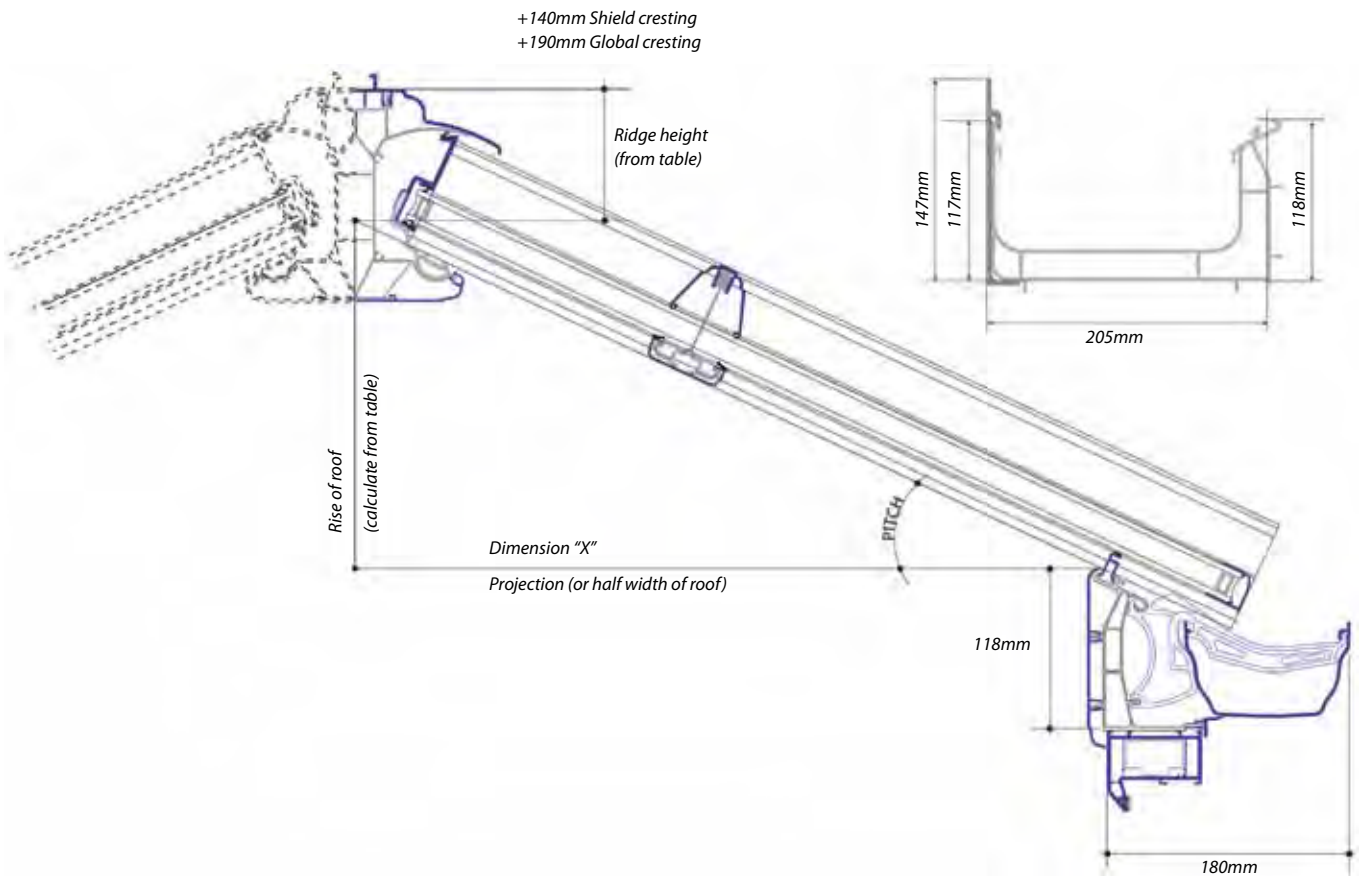
### 25mm rafters



### 35mm rafters



\***XBC1** for Shield roofs, **XBC3** for Global roofs



Roof pitch (degrees)	Rise of roof Dim. 'X' multiplied by:	Ridge height (mm)
5	0.0875	119
6	0.1051	118
7	0.1228	117
8	0.1405	116
9	0.1584	115
10	0.1763	114
11	0.1944	113
12	0.2125	112
13	0.2309	111
14	0.2493	110
15	0.2679	109
16	0.2867	108
17	0.3057	107
18	0.3249	106
19	0.3443	104
20	0.3639	102

Roof pitch (degrees)	Rise of roof Dim. 'X' multiplied by:	Ridge height (mm)
21	0.3839	101
22	0.4041	99
23	0.4245	98
24	0.4452	97
25	0.4663	96
26	0.4877	95
27	0.5095	94
28	0.5317	92
29	0.5543	90
30	0.5773	88
31	0.6009	87
32	0.6249	86
33	0.6494	85
34	0.6745	84
35	0.7002	82



**HOW TO**  
GUIDE



**TO GO TO OUR ONLINE HELP CENTRE  
PLEASE CLICK ANYWHERE INSIDE THIS  
BOX.**



**Tel** 0800 952 8000 | **Fax** 0870 123 1670 | **Email** sales@conservatoryland.com

**Conservatory Land** | Old Mill Lane Industrial Estate | Mansfield Woodhouse | Nottinghamshire | NG19 9BG

[www.conservatoryland.com](http://www.conservatoryland.com)

We reserve the right to alter specifications and descriptions without prior notice as part of our policy of continuous development. E&OE.