

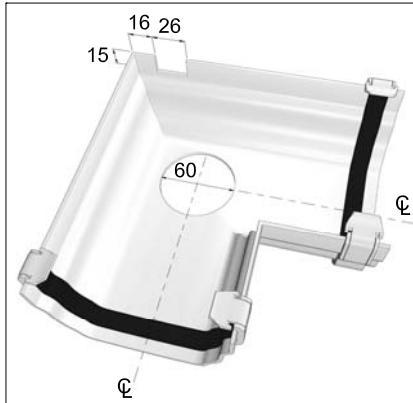
## AMENDMENT

P8

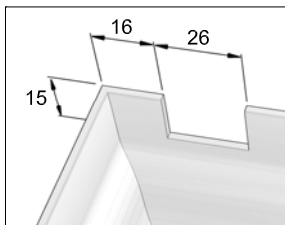
### Global Summer Assembly Guide

Box Gutter - Additional Information

#### Fitting the Global Summer system to a box gutter - additional information

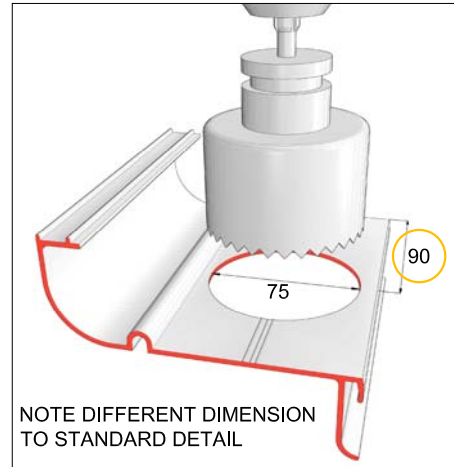


Prep 90° External Bend (XYR-935) by cutting a hole on the intersection of the two centre lines as shown using a 60mm hole saw.



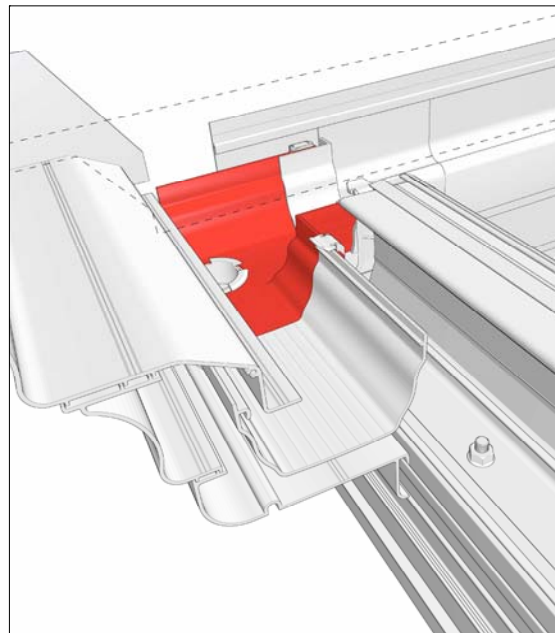
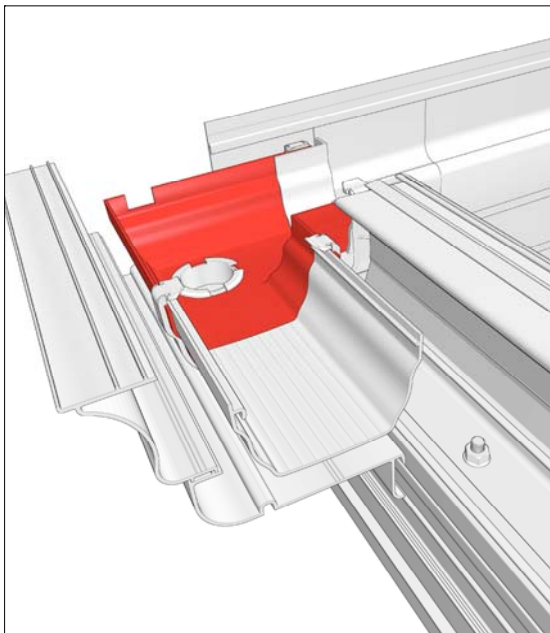
Cut out a section 26mm wide by 15mm high for the top fascia section XGUTF-AL1 to fit into. This is done 16mm from the outer edge as shown.

#### Important: XGUTF-AL3 Prep details



Using a 75mm diameter hole saw cut a hole through bottom section of aluminium gutter fascia (XGUTF-AL3) using the central die line, and set **90mm** forward from the wall end of the gutter fascia

Once 90° External Bend is in place, fix Gutter Spigot (XYR-400) before the top fascia section (XGUTF-AL1) is attached as shown on page 7.



Using standard lead flashing procedures, ensure flashing is extended to seal off corner as shown above (dotted line).

*All dimensions in mm*