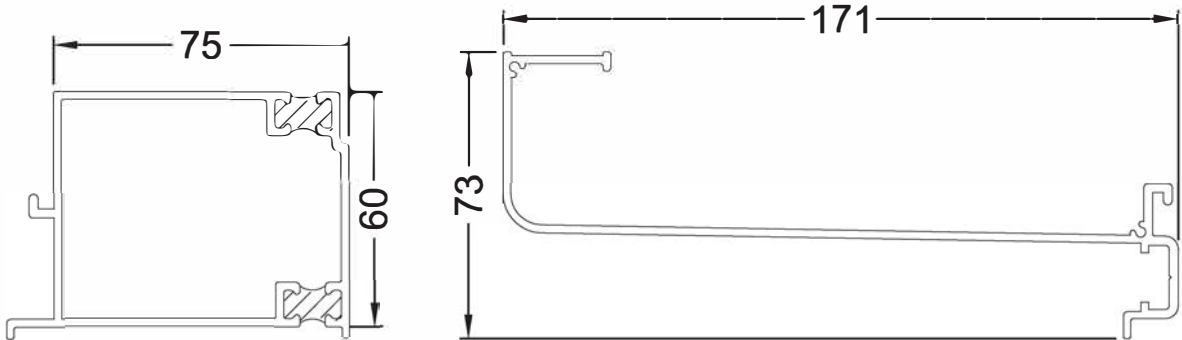


PLEASE USE THIS GUIDE IN
CONJUNCTION WITH THE
GENERAL ROOF INSTALLTION
GUIDE

(This guide shows the highline
gutter and internal pelmet fitting
info)

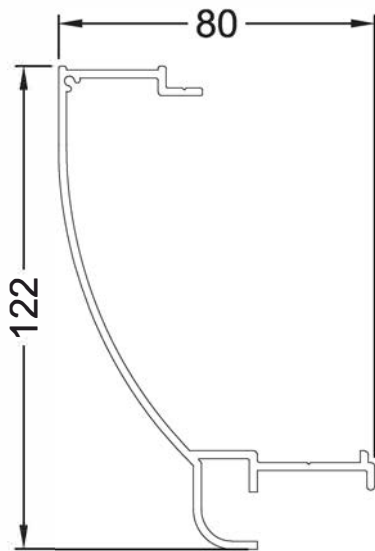
HIGHLINE GUTTER - COMPONENTS

ALUMINIUM

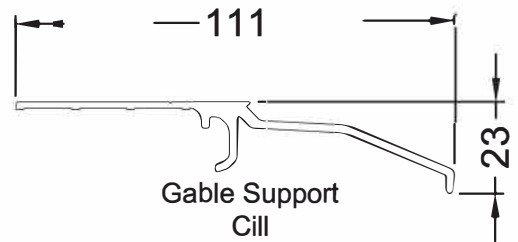


Highline Gutter
Adapter
CRS8577A

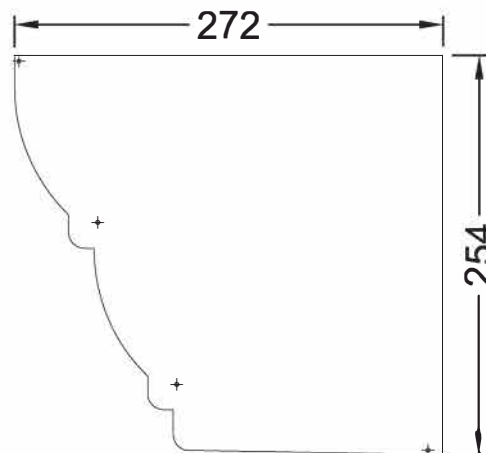
Highline Gutter
Base
CRS8578A



Highline Gutter
CRS8579A



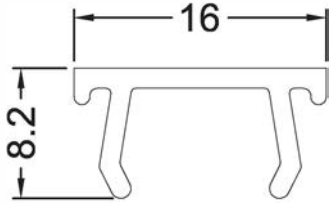
Gable Support
Cill
CRS8548A



End Plate
CRS8574A

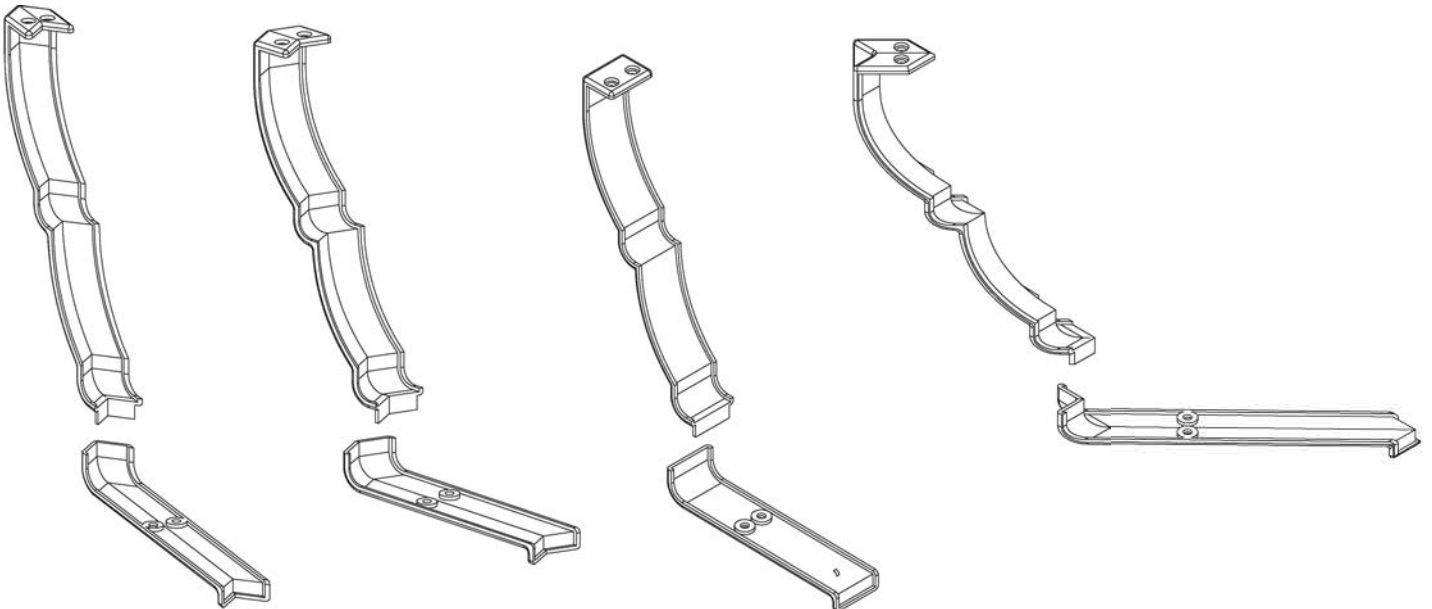
HIGHLINE GUTTER - COMPONENTS

PVC



Eurogroove Cover
EWS112

ALUMINIUM CASTINGS



CRS8570A
90° Corner Casting

CRS8571A
135° Corner Casting

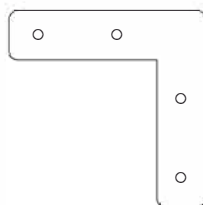
CRS8572A
Inline Joint Casting

CRS8573A
Internal 90° Corner
Casting

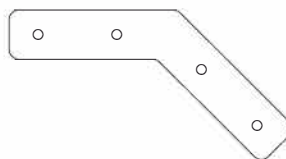
STEEL



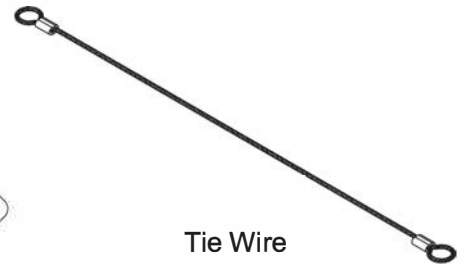
CRS8671S
Straight Stainless Steel
Fixing Cleat



CRS8672S
90° Stainless Steel
Fixing Cleat



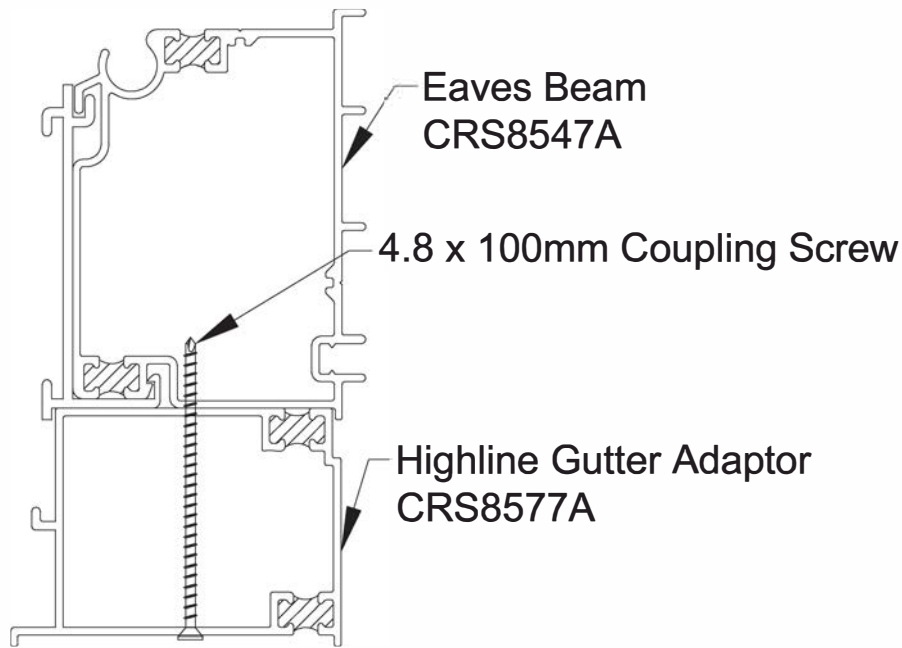
CRS8673S
135° Stainless Steel
Fixing Cleat



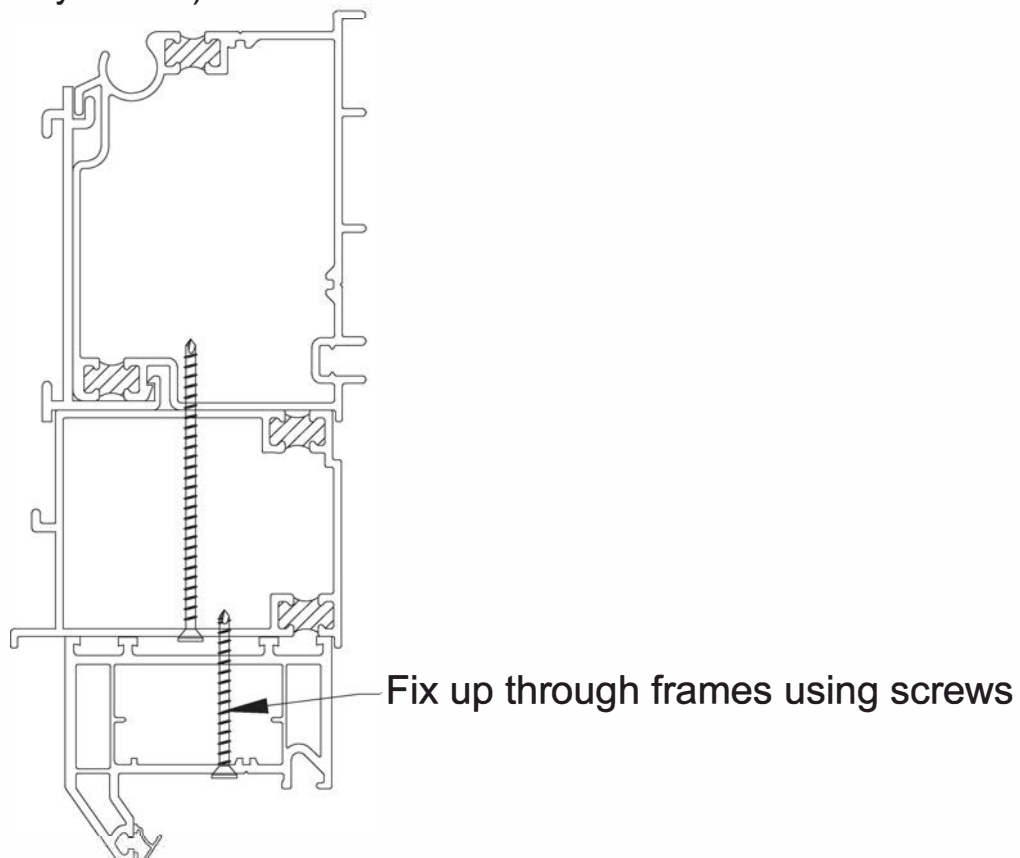
Tie Wire
CRS8679S

FIXING METHODS - HIGHLINE GUTTER

Fix adaptor to Eaves Beam by screwing up through the adaptor into the Eaves Beam at 500mm centres. Ensure all mitres are good before fixing

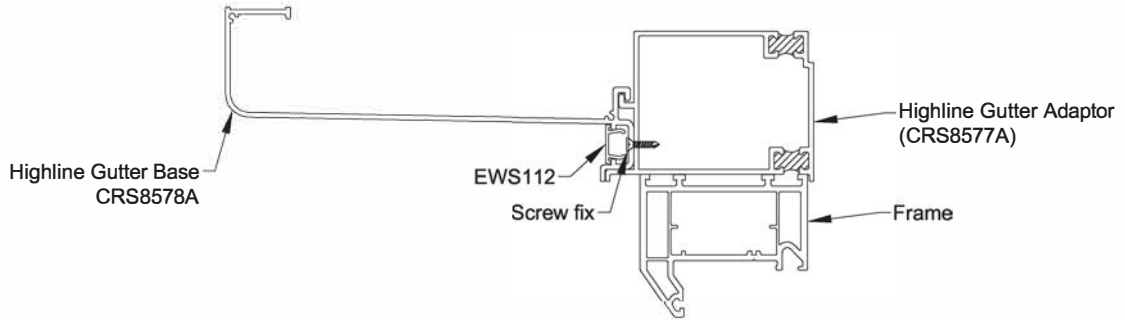


Move adaptor into position onto the frames and fix up through the frame into the adaptor (2 per opener/every 500mm)

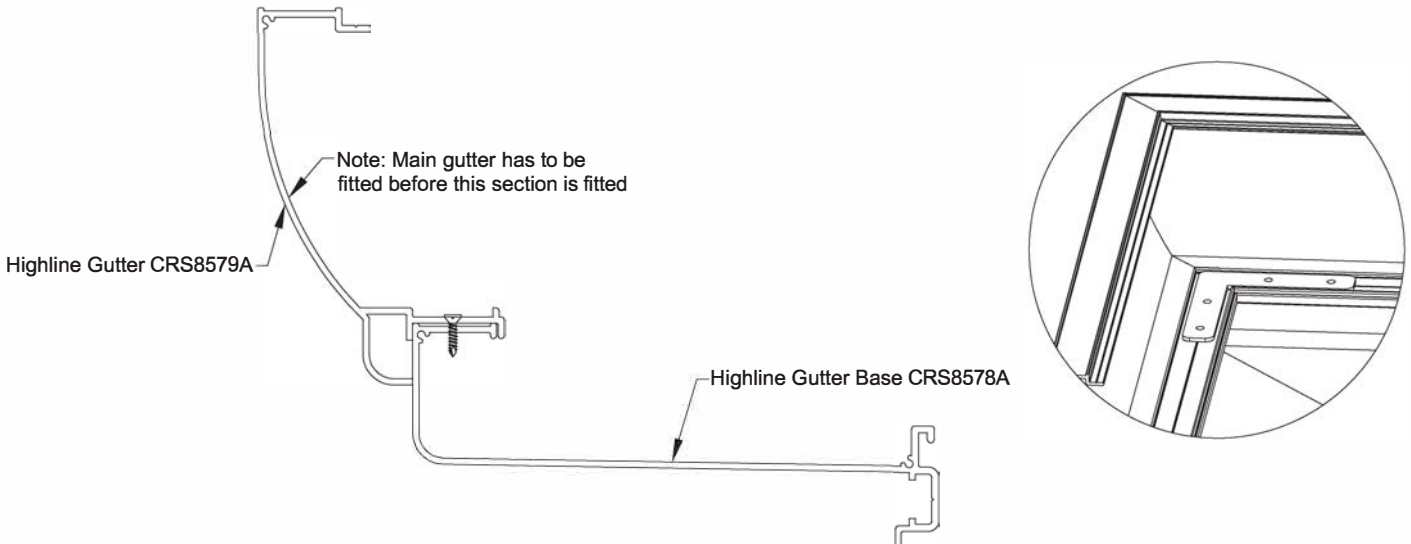


FIXING METHODS - HIGHLINE GUTTER

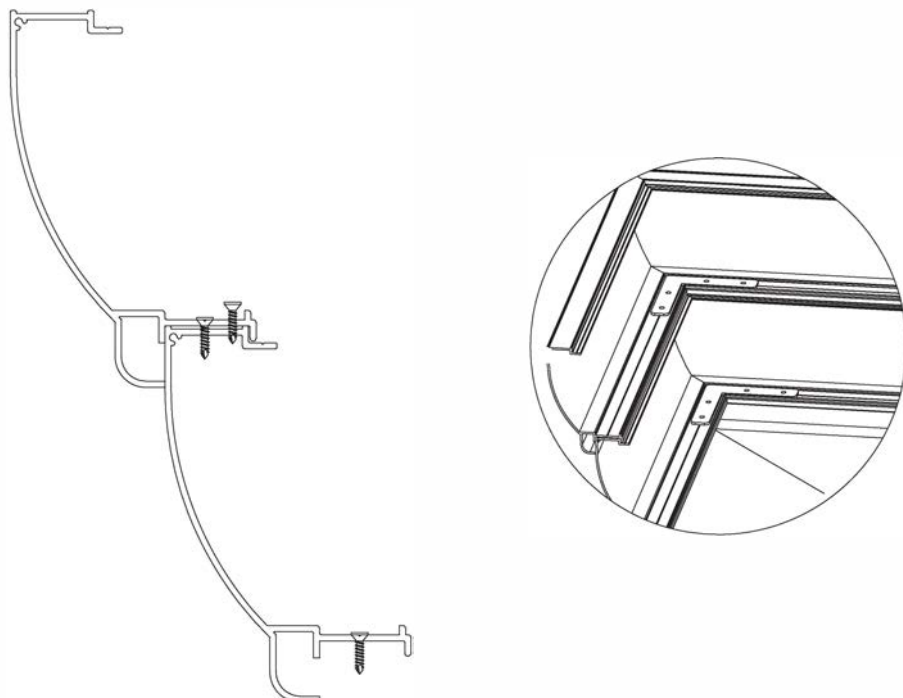
Once adaptor (CRS8577A) and eaves are in position, hook Highline Gutter Base section (CRS8578A) onto adaptor and fix at 300mm centres using screws



Locate Highline Gutter section (CRS8579A) onto the base and fix at every 300mm centres

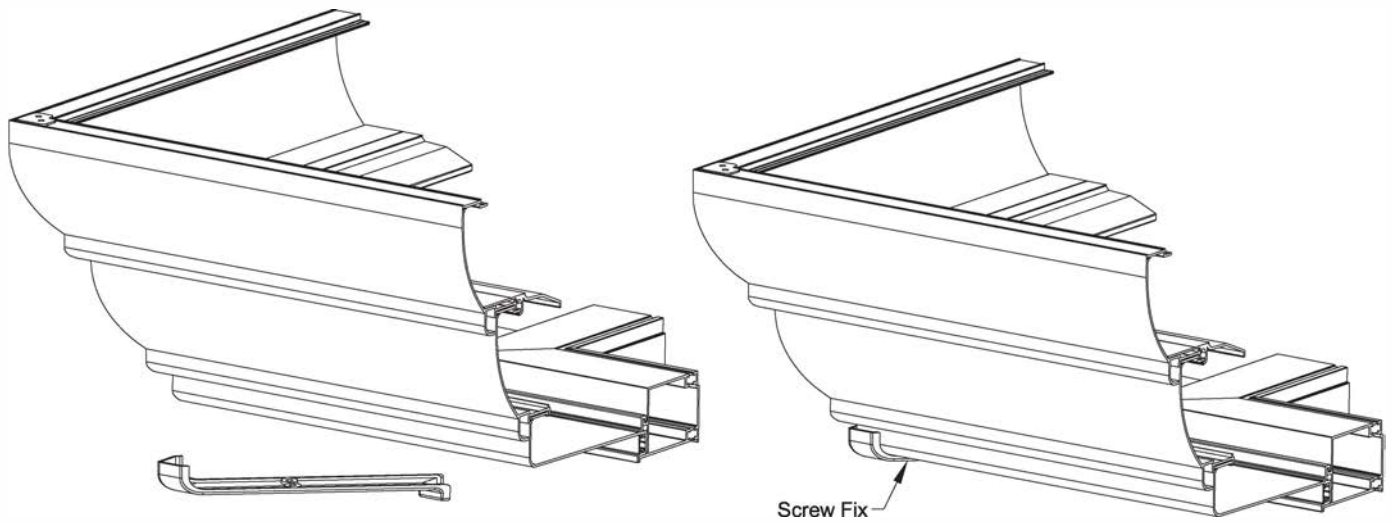


Fix second section of Highline Gutter (CRS8579A) to the first at 300mm centres

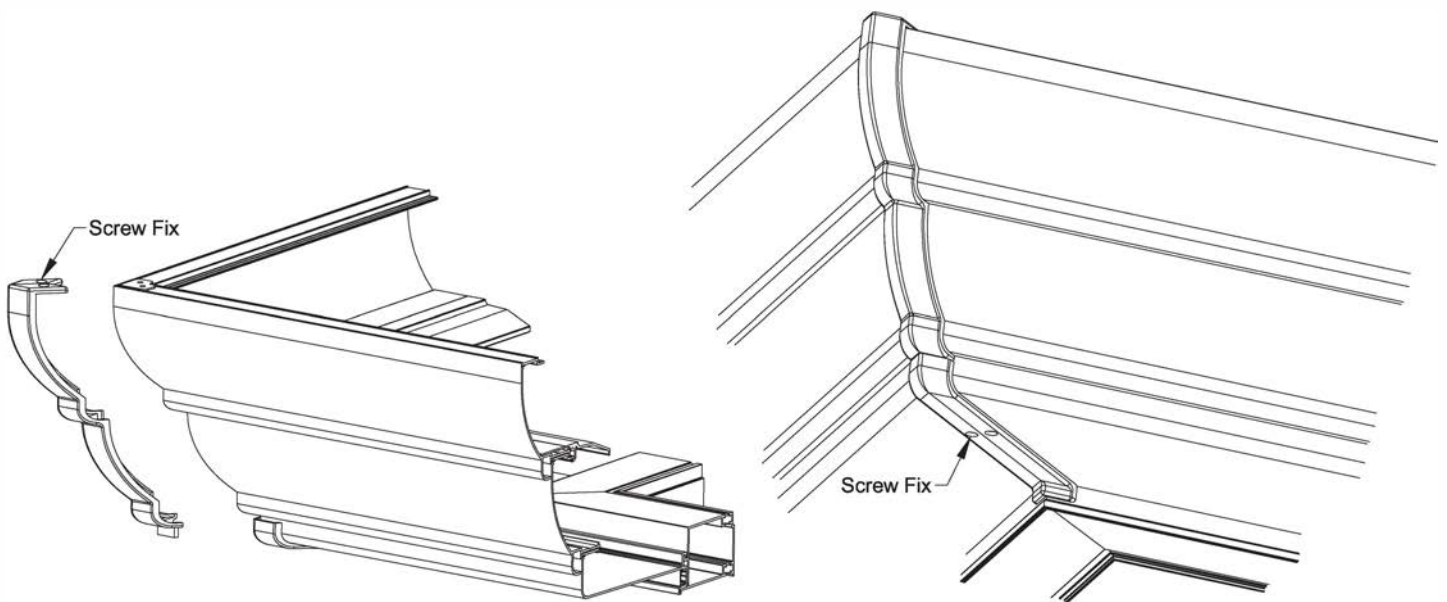


HIGHLINE GUTTER FIXING METHODS - CORNER CASTINGS

To fix corners together use the appropriate corner castings for the available angles. Fix the bottom section of the casting through the underside into the highline gutter base. This part will fit over the top section holding it in place.

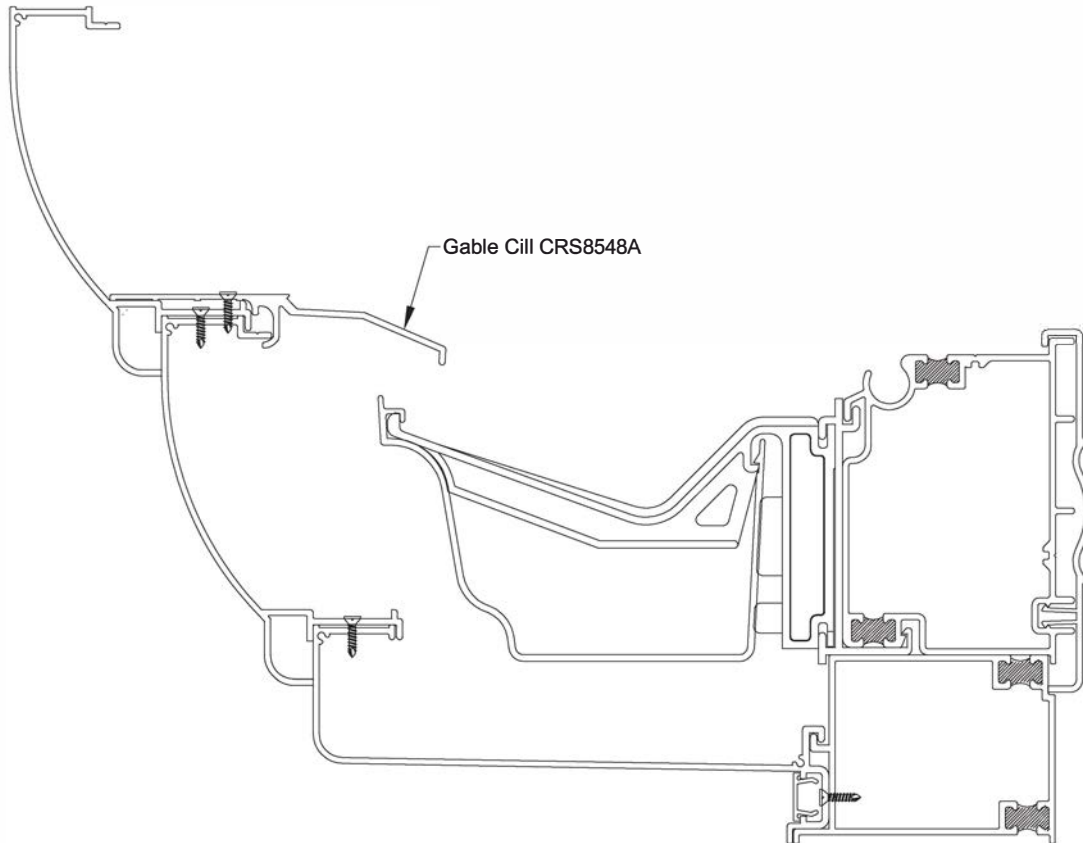


Fix the top part of the casting, fixing down through the top into the highline gutter section. Use a 2mm thick washer between the casting and the highline gutter section.



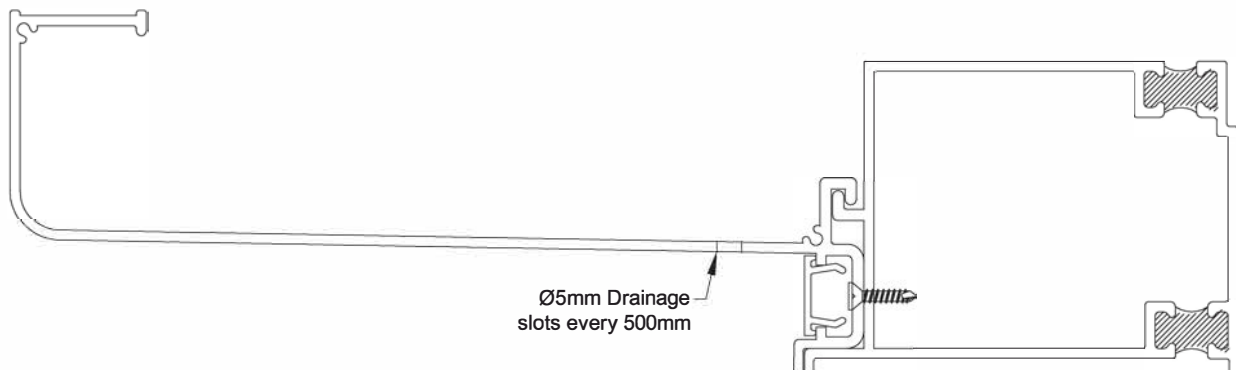
HIGHLINE GUTTER - DRAINAGE

To ensure any rainwater is directed into the standard gutter, locate and fix the gable support cill into the second section of Highline Gutter. This will act as a cill.



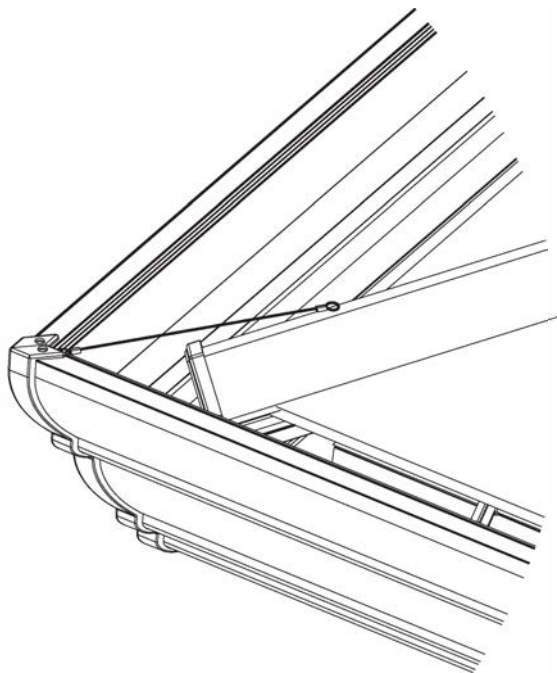
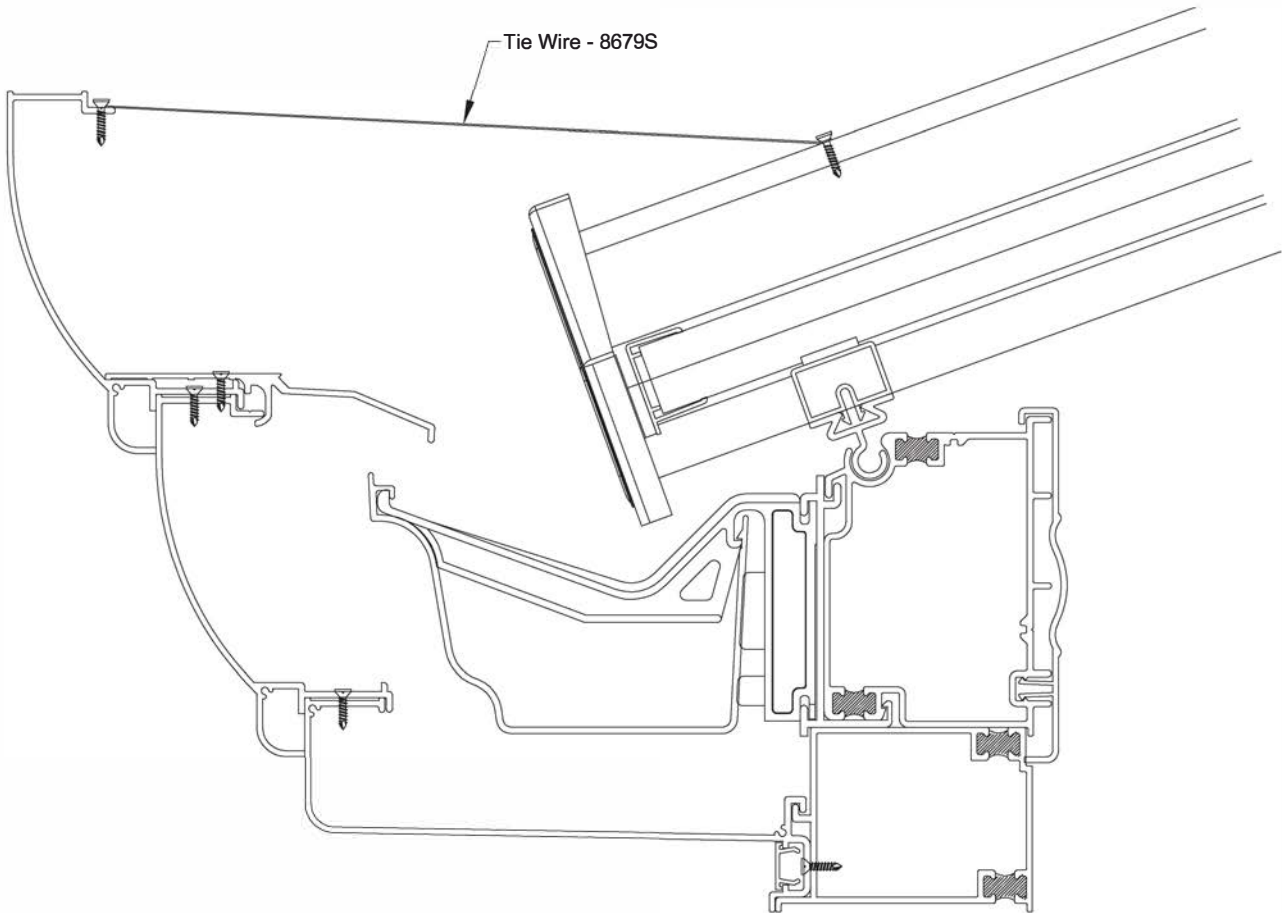
Drainage Details

Drill Ø5mm drainage holes every 500mm. Ensure not to drain above doors

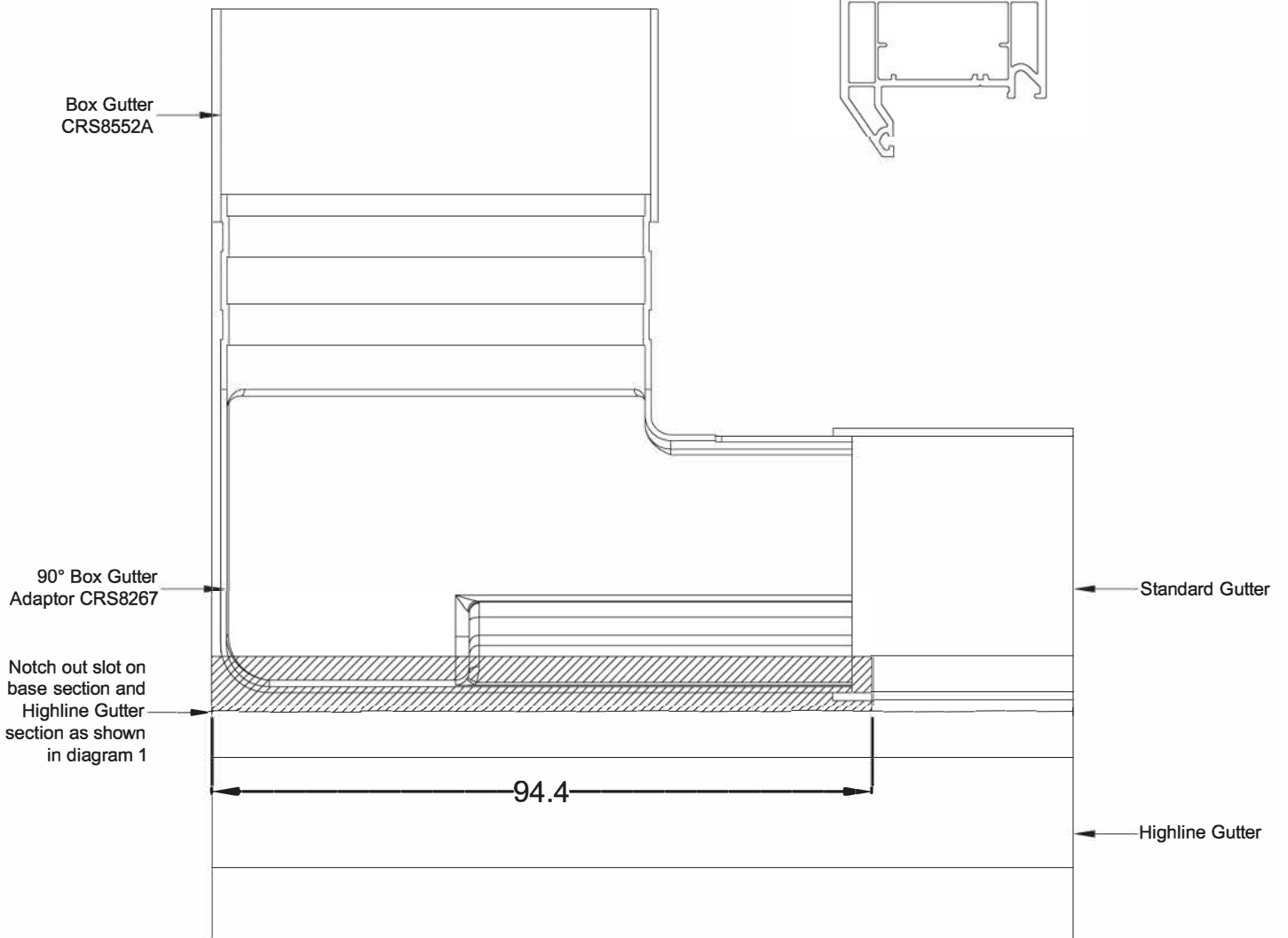
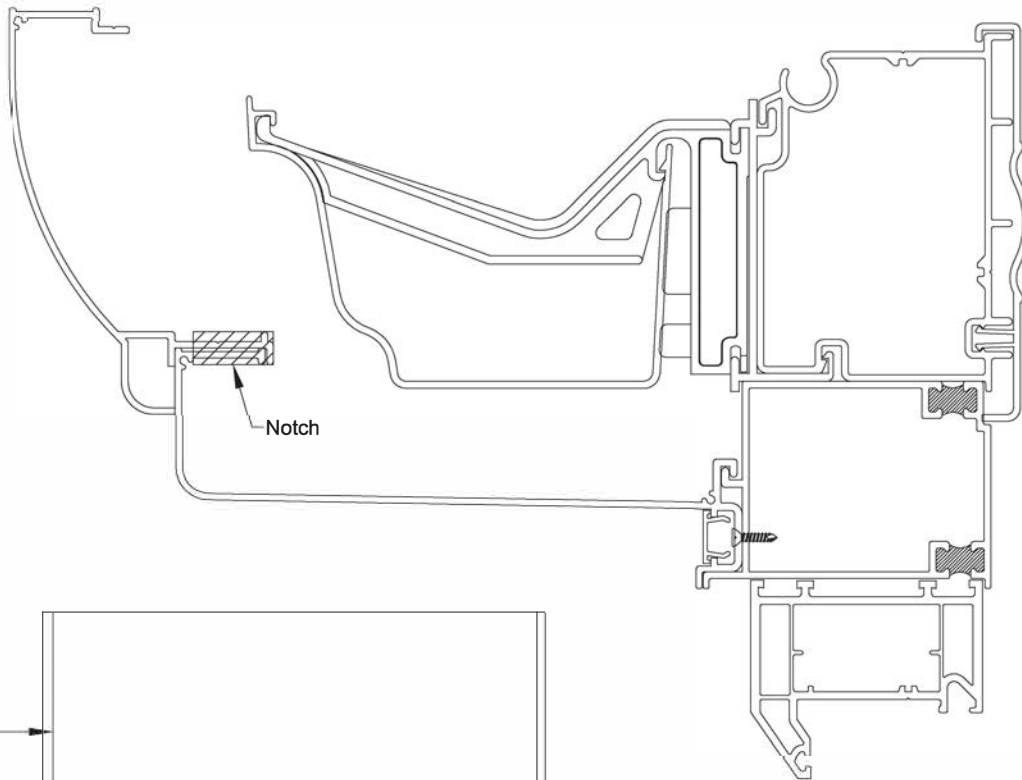


HIGHLINE GUTTER FIXING METHODS - TIE WIRE

To help support the Highline Gutter system from any loads fix a tie wire (CRS8679S) from the Highline Gutter to each rafter



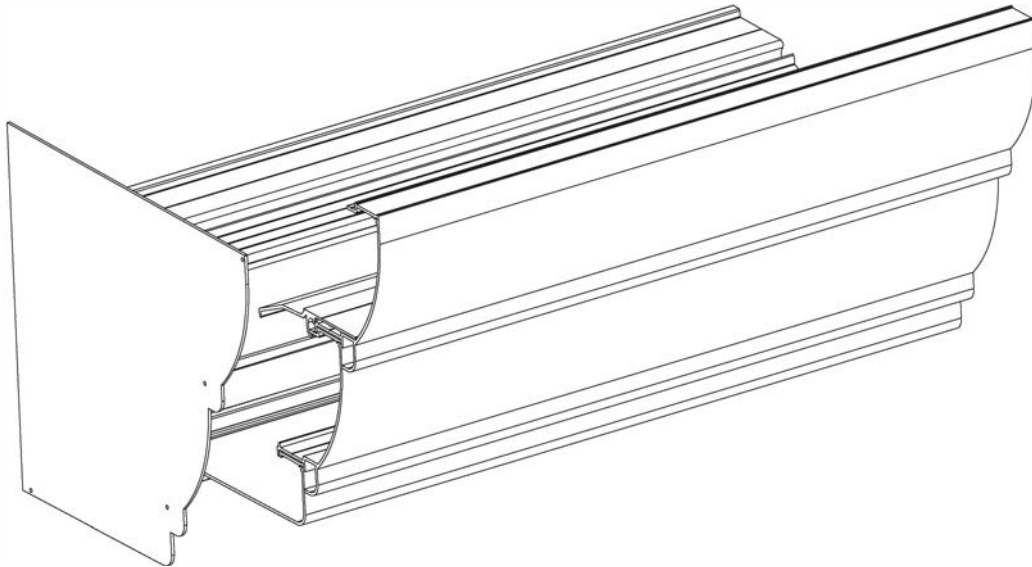
HIGHLINE GUTTER BOX GUTTER PREP



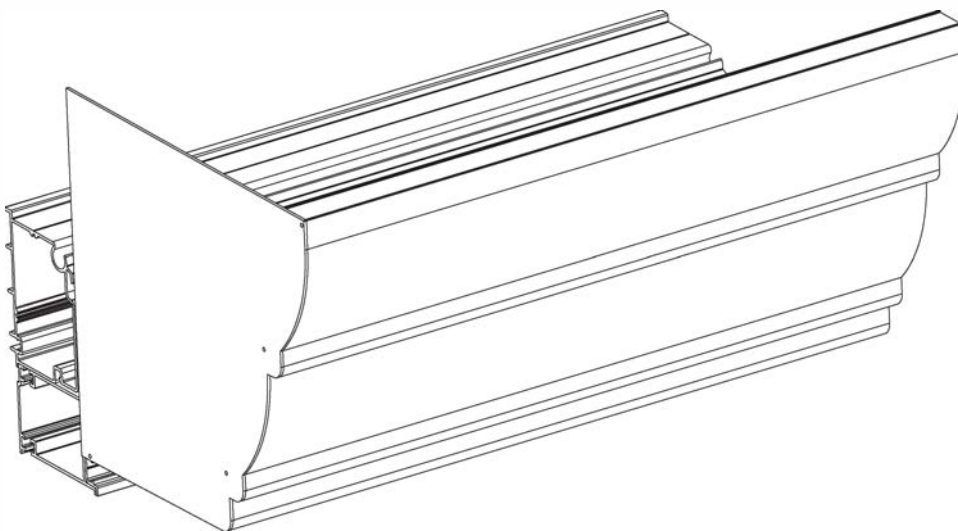
Notch out a slot to allow Box Gutter adaptor to pass through the Highline Gutter base section

HIGHLINE GUTTER END PLATE FIXING DETAILS

In some situations where the gutter protrudes beyond the wall, End Plates will be required to cap off the end of the Highline Gutter.

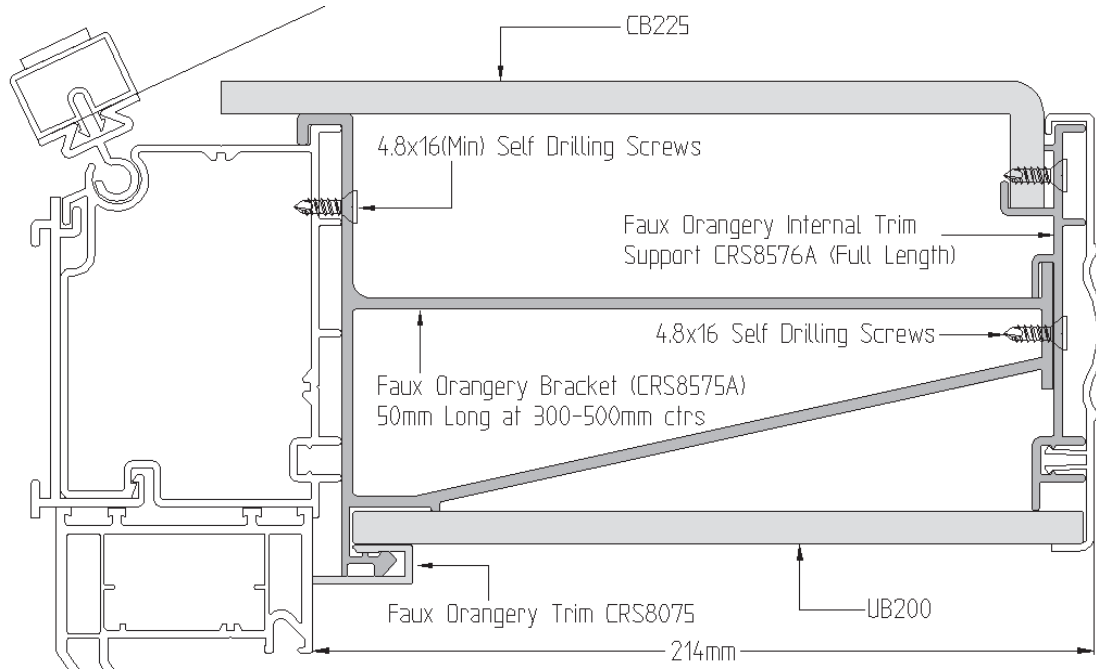


If gutter protrudes beyond brickwork, the Highline Gutter End Plate (CRS8574A) should be cut down to suit.



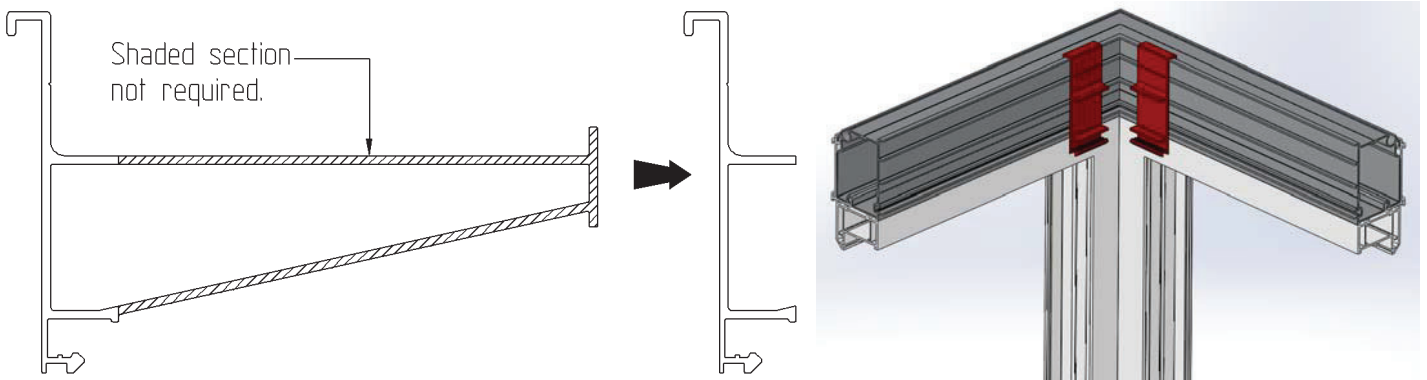
Fix End Plate to Highline Gutter sections into the screwports on the gutter extrusions. Fix using Ø3 x 16 Stainless Steel screws and screw cap covers.

Cross Section

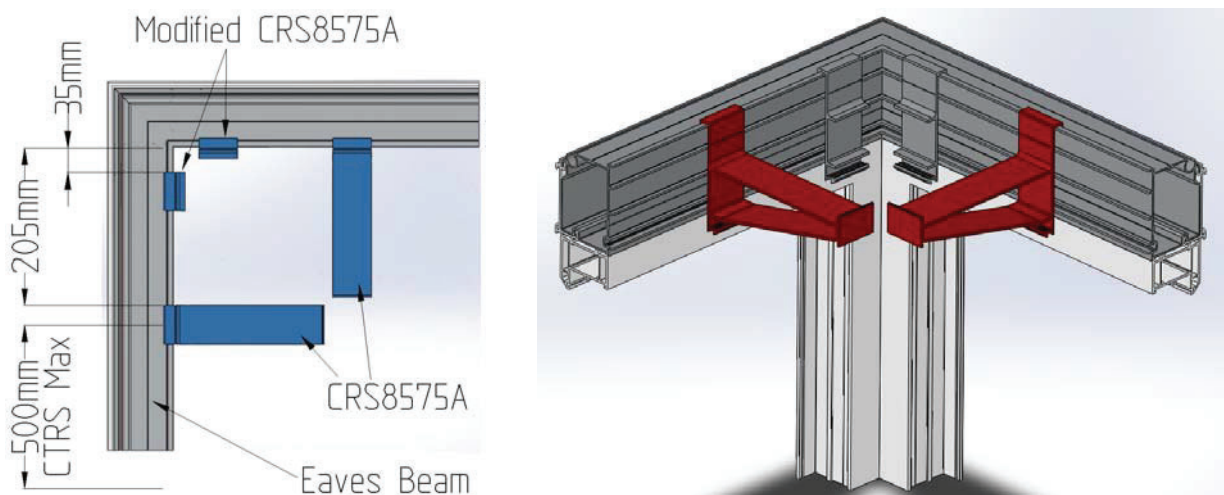


Installation Notes

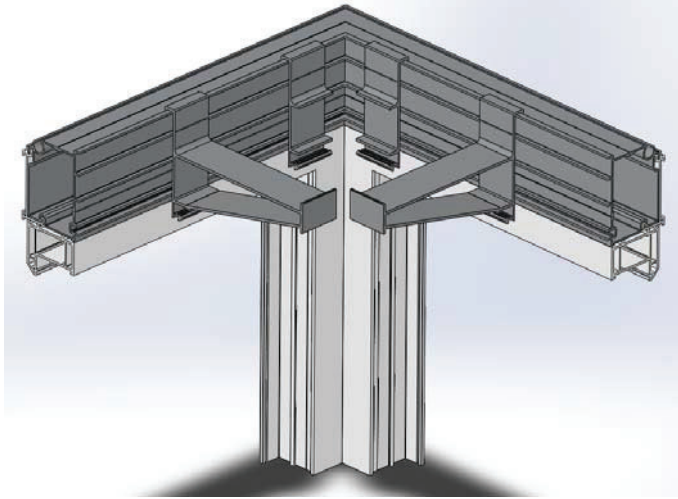
- Faux Orangerie Brackets (CRS8575A) should be positioned between 300 & 500mm centres.
- In the corners, 2 off CRS8575A Brackets need to be modified as shown below.



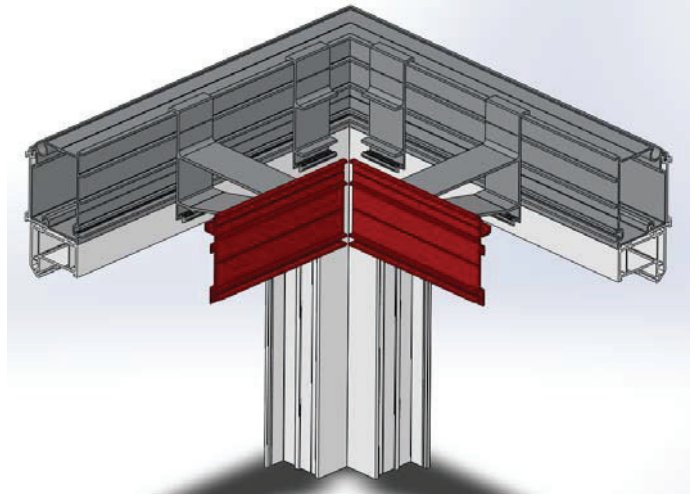
- The Positioning of the Brackets in the corners should be as follows.



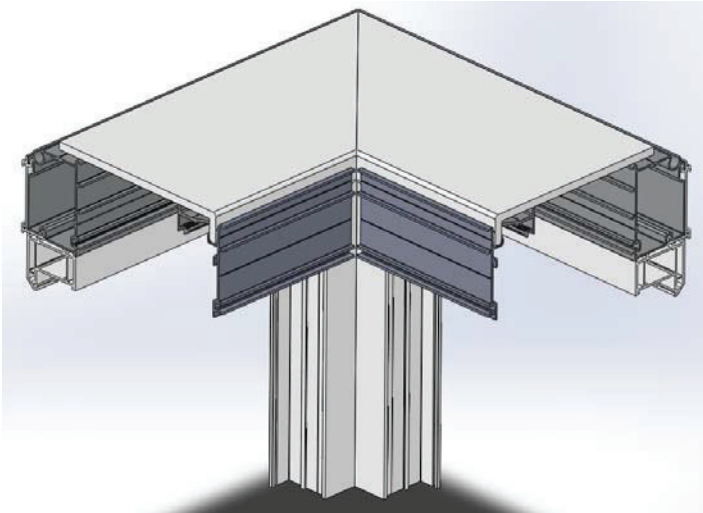
Once all brackets are in place screw them into position using 4.8 x 16(Min) self drilling screws.



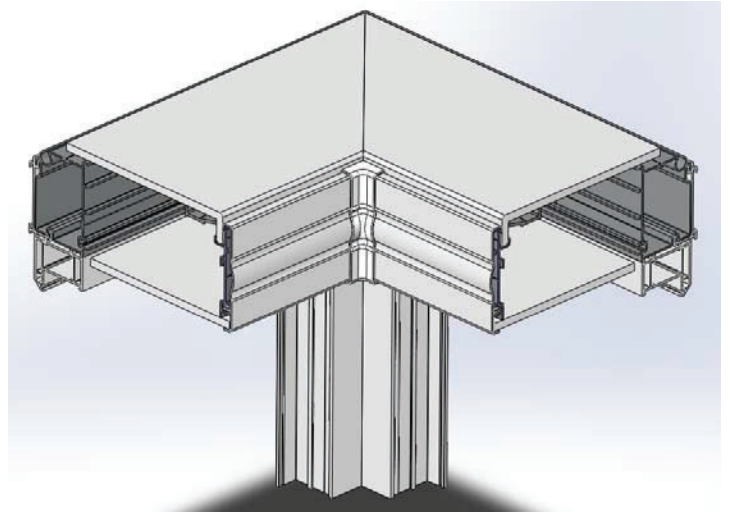
Locate the Internal Trim Support (CRS8576A) and screw into place using 4.8x16 self drilling screws.



Locate the CB225 Capping board and screw into position.



Offer up the UB200 under cladding and clip the Ring Beam Internal Trim into place.



Clip into position the Faux Orangery Trim. The corners can be either mitred or square cut.

