

Orangery Highline Gutter & Internal Pelmet Installation Guide



Use in conjunction with main roof installation guide & roof layout drawing

Contents

	Page no.	
Precautions, Recommended Materials	2	12 Highline Gutter Section 2 / External joints
Recommended Tools & Equipment	3	13 External joints continued / Gable Support Cill
Highline Gutter Overview	4	14 Drainage / Tie Wires
Internal Pelmet overview/ instructions	5	15 Box Gutter Corner Joints
Highline Gutter -Order of fitting	6	16 End Plates / Internal finish with no Pelmet
Highline Gutter -Order of fitting continued	7	17 Internal Pelmet summarised order of fitting
Highline Gutter -Order of fitting continued	8	18 Faux Orangery Support Brackets / Trim Support
Highline Gutter -Order of fitting continued	9	19 Capping Board / Underclad / remaining trims
Highline Gutter Adaptor	10	20 Pelmet & Standard Box Gutter
Gutter Base Section / Gutter section	11	21 Pelmet & Box Gutter with roof cut-out

Precautions

It is recommended that protective gloves are worn.

We recommend using the following Personal Protective Equipment where required:

Safety glasses and hearing protection when drilling.

Dust mask if dust is likely to be generated.

Under no circumstances should you venture onto the roof panels of a conservatory. If access above a conservatory is required, special precautions in line with current health and safety regulations need to be taken.

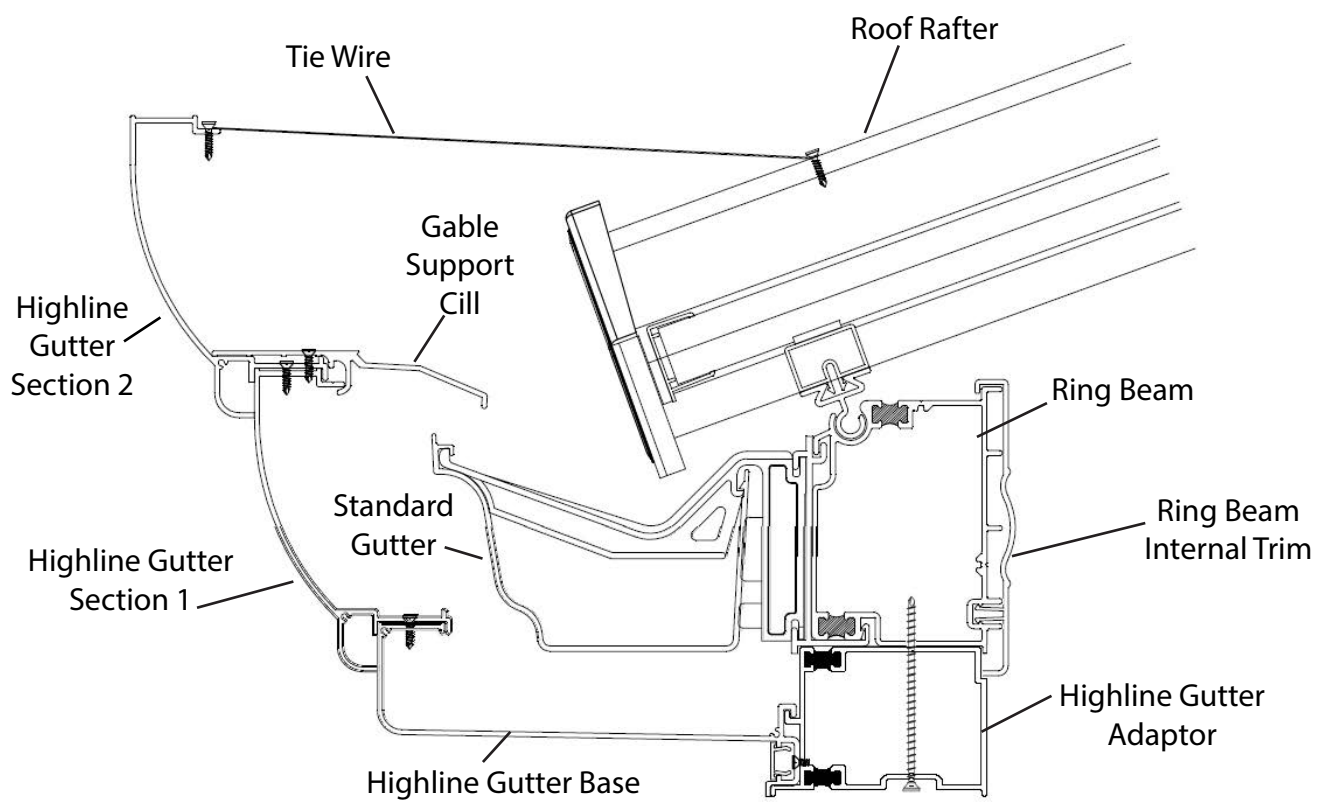
Recommended materials and accessories

All fixing bolts, screws, glazing packers, brick slip adhesive, brick slip mortar and SMX Roof Glass Silicone is provided. (If the conservatory has self cleaning roof glass we supply a specialised silicone that does not damage the self cleaning coating on the glass units).

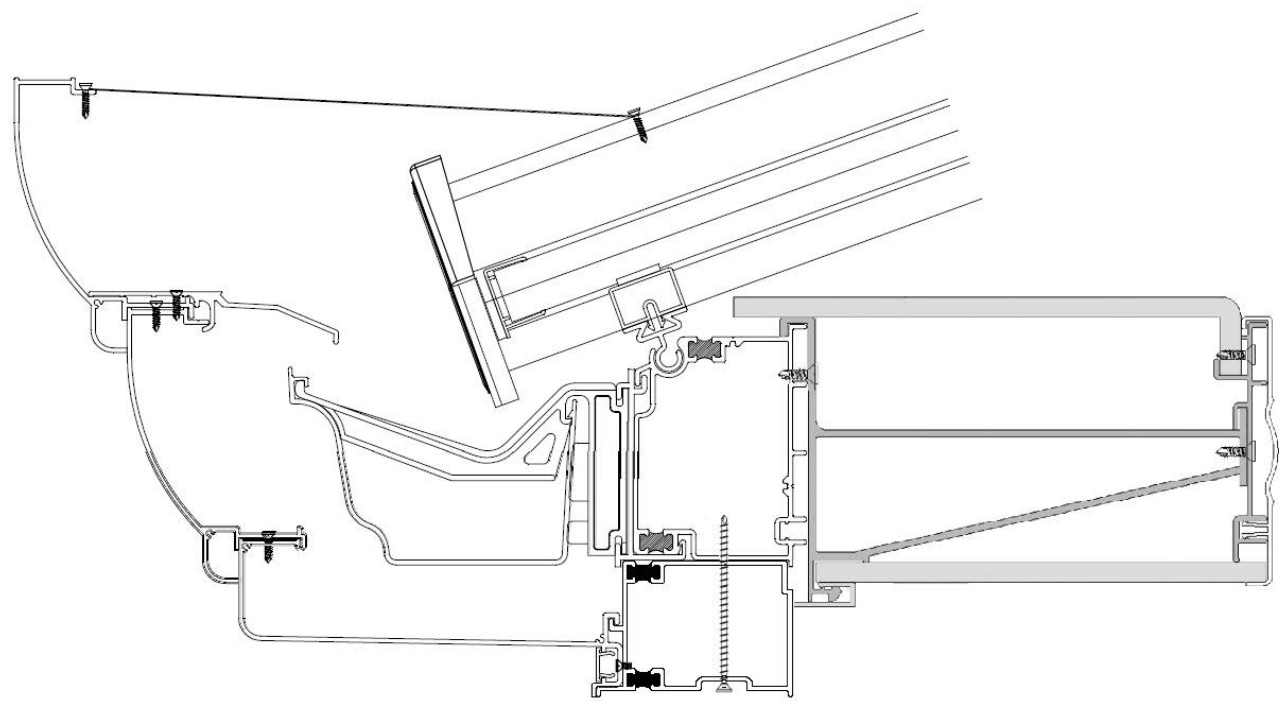
	Base	Frames	Roof
Sealants			
Silicone (Clear for sealing between & under wall boxes - colour of choice for required frame finish).	✓	✓	✓
Lead Sealant - (Sand and cement if pointing the lead work).			✓
Building Materials & Accessories.			
Foundation Blocks - 440mm x 215mm x 355mm.	✓		
Post crete - 2 x Bags per pad.	✓		
Code 4 Lead (Size & Length to suit the job)			✓
Rubble bags to remove waste.	✓	✓	✓
Roll of visqueen - To protect the finished floor.	✓		
Timber (Lean To Only) 50mm x 50mm to be used.			✓

Recommended tools and equipment	Base	Frames	Roof
Power Tools			
SDS Drill	✓	✓	✓
Impact Driver or Cordless Drill.	✓	✓	✓
Circular Saw. (For cutting the chipboard flooring).	✓		
4" Angle Grinder. (Mortar cuts for lead work).			✓
Breaker/ Kango. (Only required if you are breaking through concrete for required pads)	✓		
Hand Tools			
Spanner Set.	✓		
Socket Set.	✓		✓
1800mm Spirit Level.	✓	✓	✓
600mm Spirit Level.	✓	✓	✓
Hand Saw. (To cut insulation sheets - long craft knives can also be used).	✓		
Marker Pen. (To mark out the insulation cuts).	✓		
Tape Measure.	✓	✓	✓
Glazing Mallet.		✓	
Glazing Paddle.		✓	
Silicone Gun.	✓	✓	✓
Sharp putty knife or similar. (For removing frame glazing beads).		✓	
Lead Beater.			✓
Small trowel and pointing tool. (For pointing brick slips).	✓		
Spade.	✓		
Wheelbarrow.	✓		
Pick. (If you need to break up any difficult terrain).	✓		
G-Clamps. (To secure frames / ring beams / corner posts etc. when fixing.)		✓	✓
Accessories			
8mm SDS Drill Bit. (For securing base sections to the house wall).	✓		
6.5mm SDS Drill Bit. (For securing wall boxes / windows / wall plates to the house wall).	✓	✓	✓
4mm HSS Drill bits. (For securing wall boxes and flooring - Multiple required).	✓		
T30 Torx Bits. (For direct to brick fixings).	✓	✓	✓
Pozi Drive Bits.	✓	✓	✓
53mm hole cutter. (For downpipe spigot drill & fix adaptor.			✓
PVA Glue. (Gorilla Glue or similar for floor joints).	✓		
Solvent Cleaner. (NOT to be used on foiled frames or any self cleaning glass).		✓	✓
Glass Cleaner & Paper Tissue Roll.		✓	✓
Super Glue & Activator		✓	✓

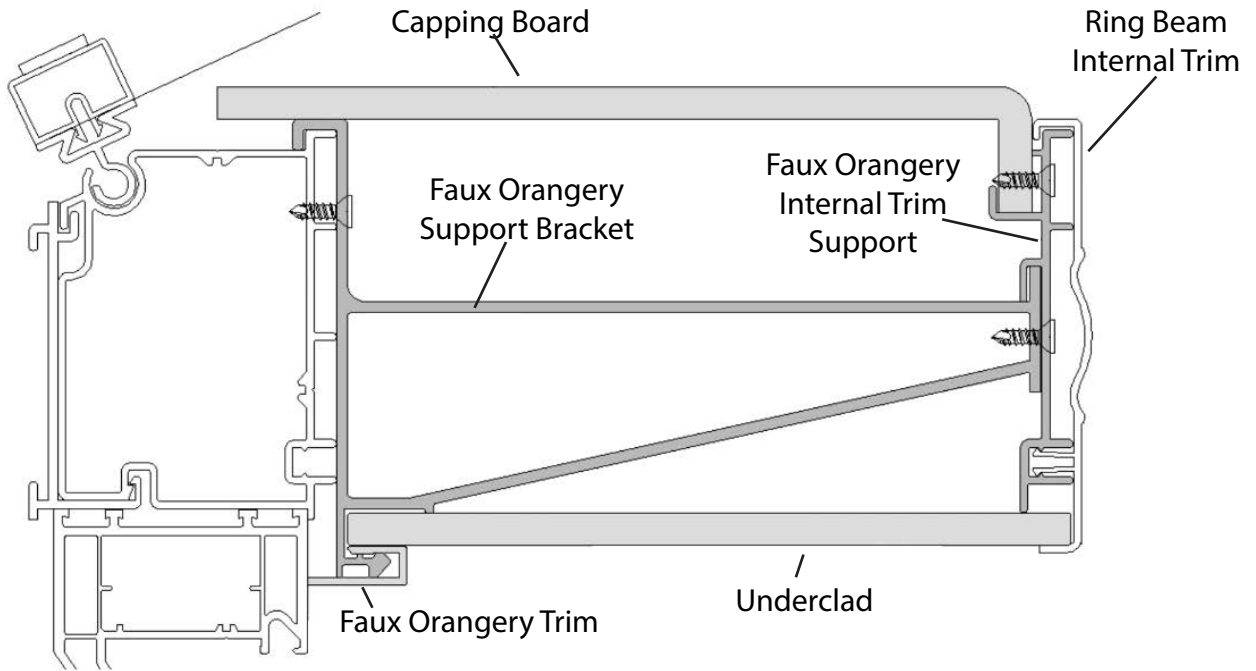
Highline Gutter overview - No Internal Pelmet



Highline Gutter overview - With Internal Pelmet



Internal Pelmet overview



Instruction drawings required

The instruction drawing includes a detailed roof plan with dimensions and a table of specifications.

Extrud profile colour	White
Roof glazing	35mm Opal
Glazing area	9.01m ²
Frames colour	White
Fan light glazing	Toughened Safety Glass
Window glazing	Toughened Safety Glass
Lower panel glazing	28mm Flat Panel
Window system	ConservatoryLand 70 Vw 1.2
Frame depth	70mm
External ridge height	3973mm (Excl Crest)
Top of frame to U/S ridge	700mm
Top of frame to top of ridge	873mm (Excl Crest)
Roof slope	25.0°

1. All dimensions relating to perimeter are to internal face of supporting frames or face of host building unless otherwise stated.
 2. Skipped roof light dimensions relating to perimeter are to external face.
 3. The support structure for this roof must provide the necessary lateral and axial stability in accordance with the relevant British Standards. Guidance if required should be sought from your frame supplier.

Please check the specification and dimensions shown herewith with care and confirm your acceptance by signing here
 SIGNED: _____ DATED: _____
 If you are unsure of any detail appearing herewith please query with My Company roof department. Tel: 0800 952 3000 Fax: 0115 952 3000

ConservatoryLand
 More light. More space. More living.
 ConservatoryLand
 Old Mill Lane Ind Est
 Mansfield Woodhouse
 Nottinghamshire
 0800 952 3000
 sales@conservatoryland.com

Quote Number
 Order Number
 Customer Reference
 Draughts Person
 Process Date
 Site Post Code
 Customer Name

Refer to your roof plan that you used to build the main roof structure. The numbering for your Internal Pelmet parts are the same as the roof ring beams.

All roof components including your box of ancillary, gutter & fixings will have blue tape on them.

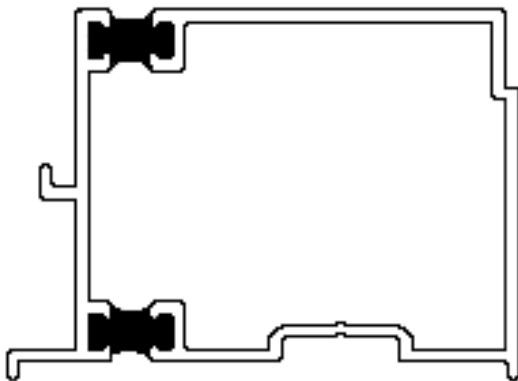
Summarised order of fitting

Below is a summarised order of the general stages of fitting the Decorative Highline Gutter, either with or without Internal Pelmet.

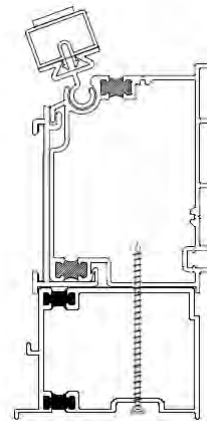
IMPORTANT: Stage 1 **must** be completed for all roofs with Decorative Highline Gutter **BEFORE** Building the main roof structure.

Stage 1 - Attach The Highline Gutter Adaptor

1



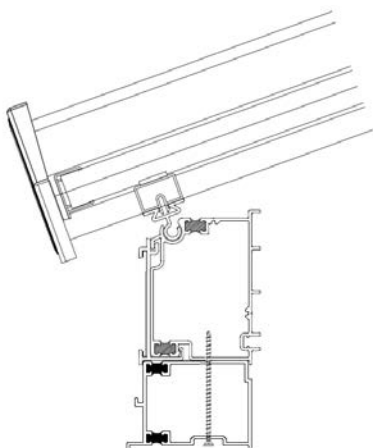
2



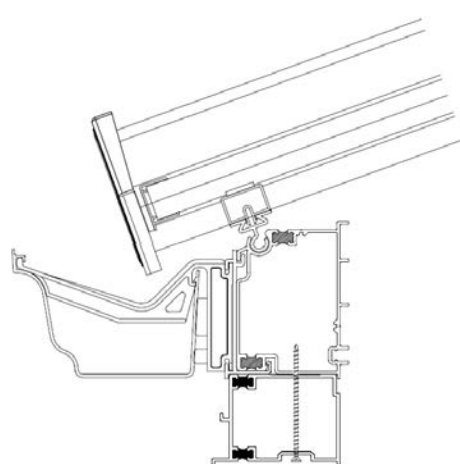
Identify the Highline Gutter Adaptor, And fix this to your ring beams using the fixings supplied. This **MUST** be done first to be able to install your Decorative Highline Gutter.

Stage 2 - Complete your main Roof Structure & Standard Gutter

1



2



Now you will need your main Roof Structure Installation Guide for the style of roof you are building. Follow the installation guide to complete the installation of the main structure, Including the Standard Gutter, but do not fit your downpipe at this stage.

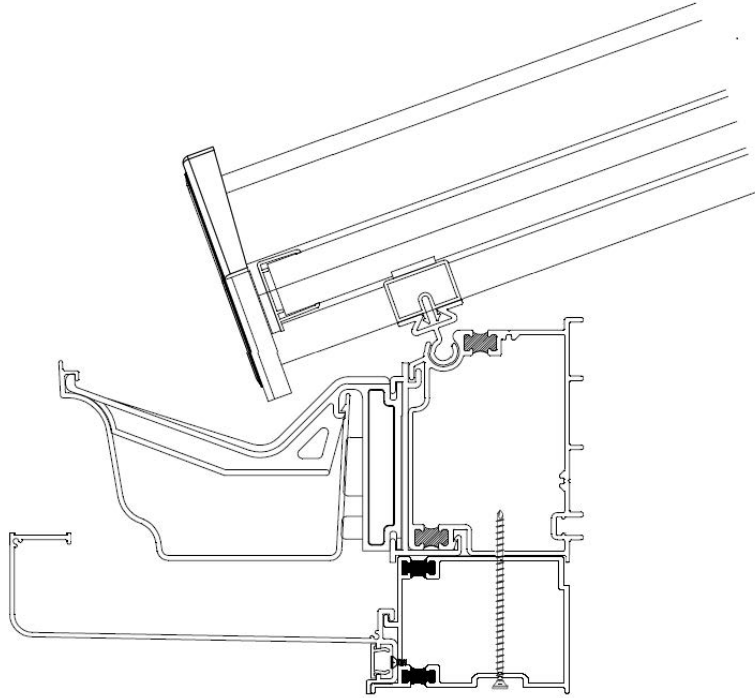
Once the main roof structure is complete, resume using this installation guide to install your Highline Gutter from Stage 3.

Following the Highline Gutter installation guide you can use Stage 4 to complete the Internal Pelmet if your roof includes it.

Summarised order of fitting - continued

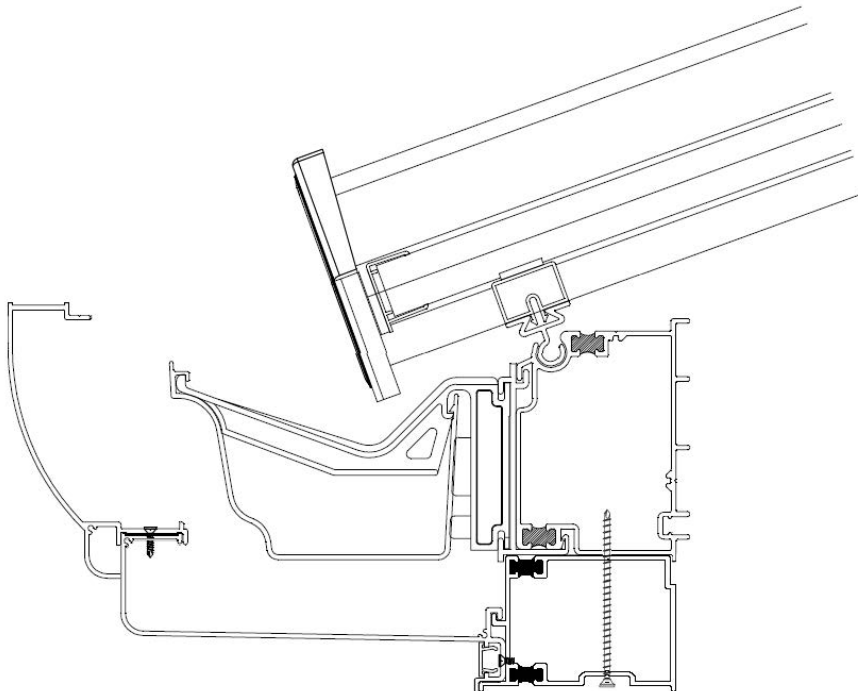
Stage 3 - Highline Gutter Installation

1



Fit the Highline Gutter Base

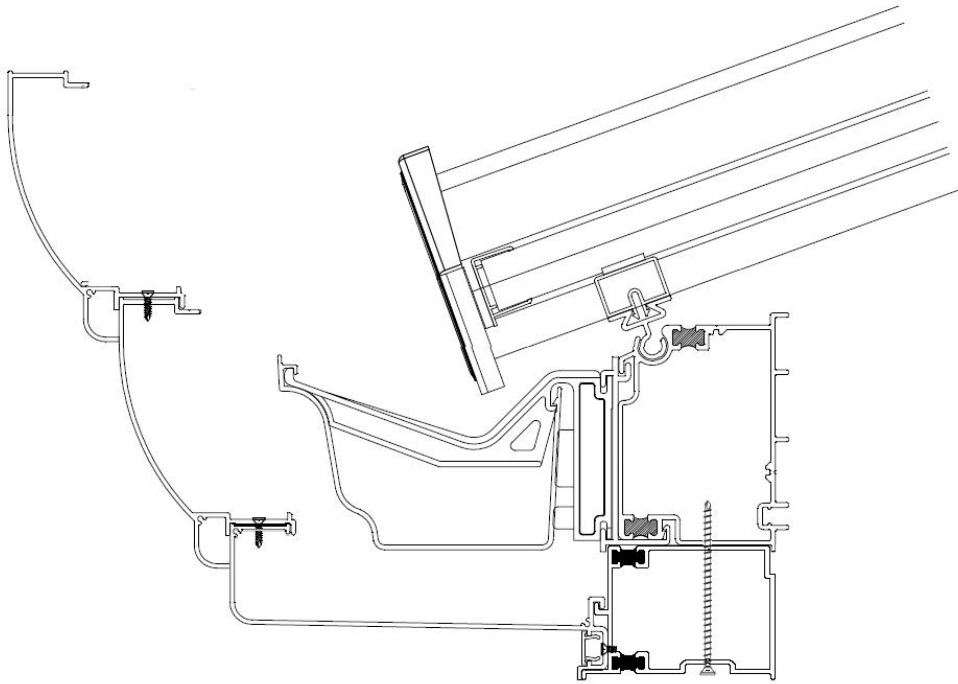
2



Next fit the Highline Gutter Section 1

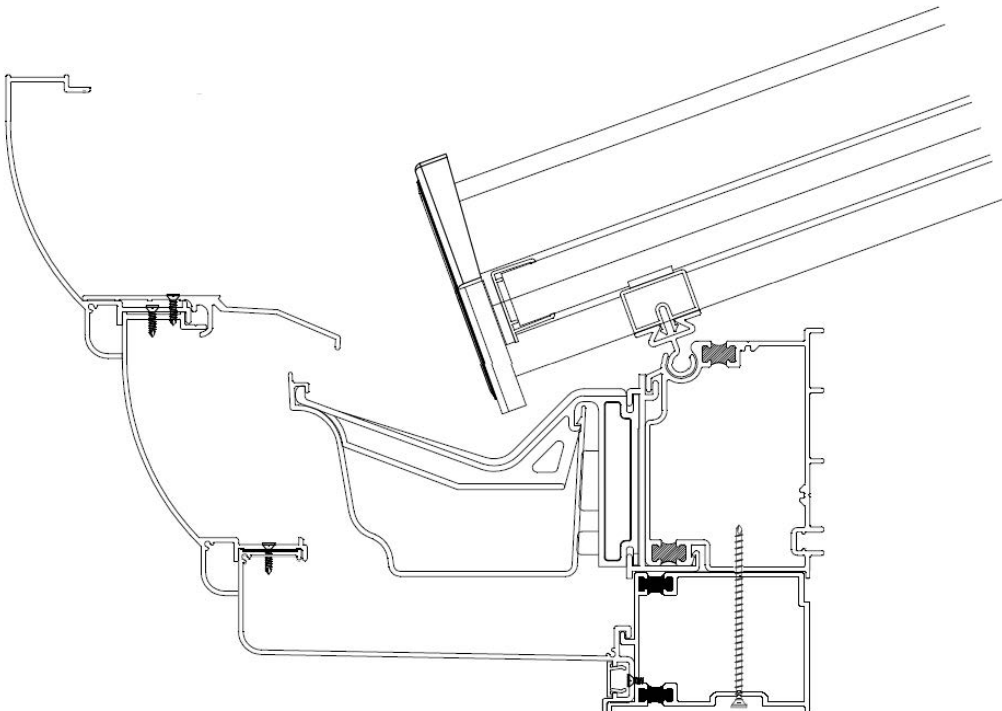
Summarised Highline Gutter Installation - continued

3



Fit the Highline Gutter Section 2

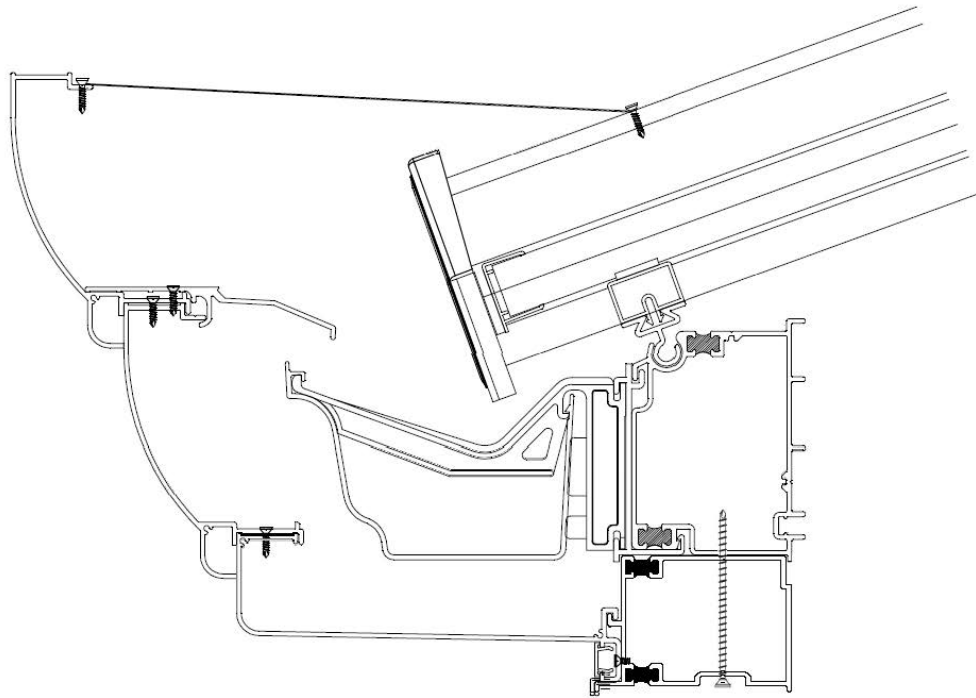
4



Next fit the Gable Support Platform

Summarised Highline Gutter Installation - continued

5



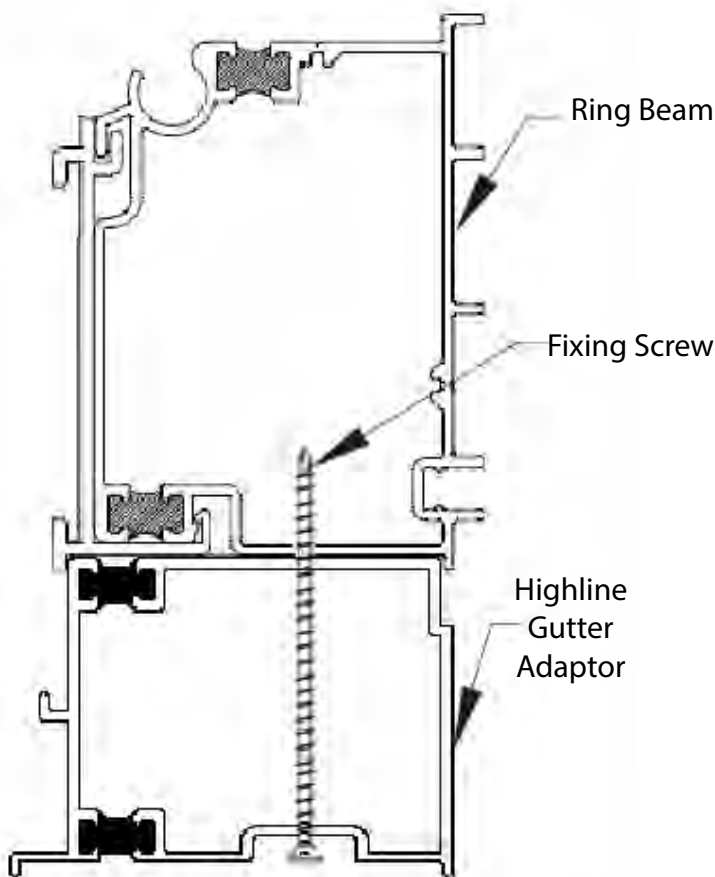
Finally fit the Tie Wires

That is the overview of the Highline Gutter installation complete. The Following pages show the installation in more detail. After the detailed Highline Gutter installation pages, there are also instructions for installing the Internal Pelmet, if your order includes it.

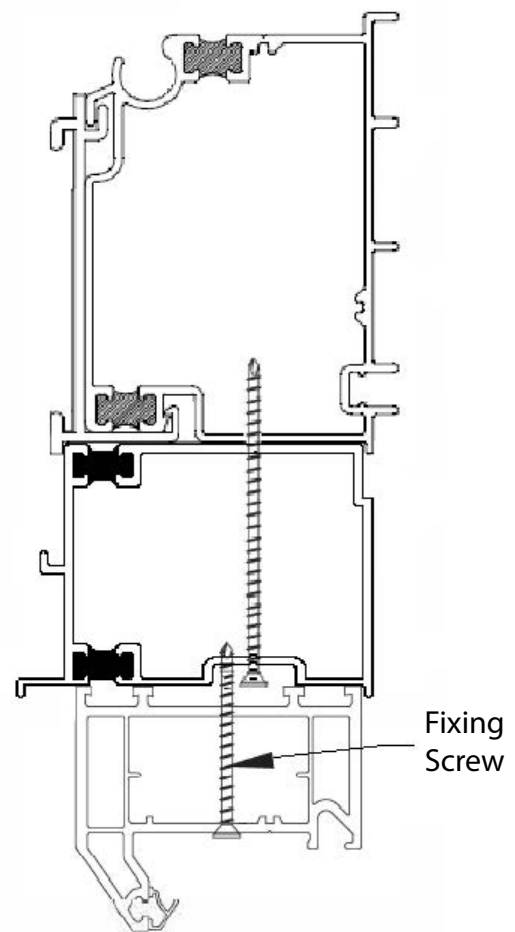


See the following pages for more detailed guide

Highline Gutter Installation -Highline Gutter Adaptor



Fix the Highline Gutter Adaptor to the Ring Beam by screwing up through the adaptor into the Eaves Beam at 500mm centres.



Move the Highline Gutter Adaptor & Ring Beam into position onto the frames and fix up through each frame into the adaptor using the 70mm self drilling screws. Use 2 per frame / door sash, or a maximum of 500mm centres. Do not fix within 150mm of any corner weld on your frames.

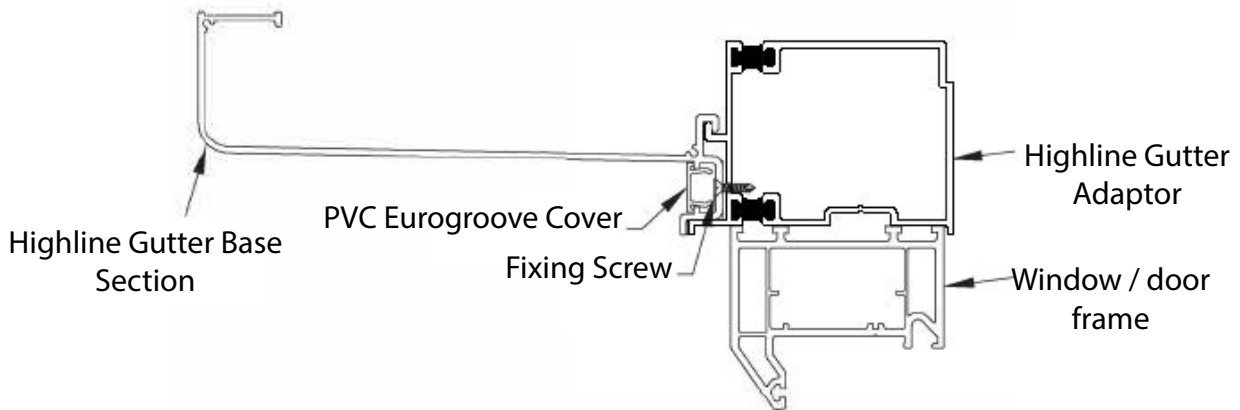


IMPORTANT

Now follow your main Roof Installation guide to complete the roof structure, and install the standard PVC gutter before returning to this instruction to complete the Highline Gutter.

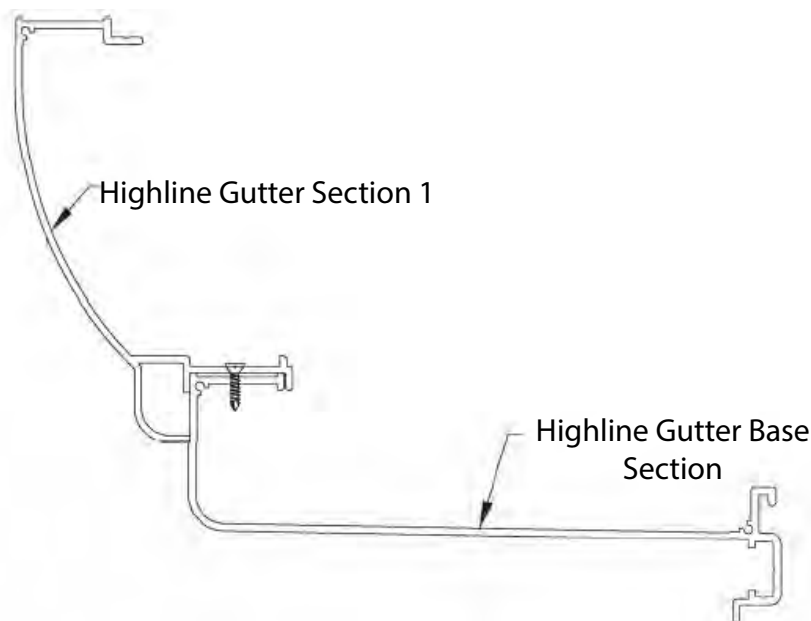
The two examples shown on the left are the Edwardian & Hipped-back Edwardian installation guides. The correct one for your roof will have been emailed to you, or are available on our website at www.conservatoryland.com

Highline Gutter Installation -Highline Gutter base section

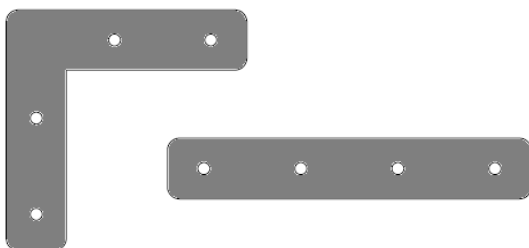


Once the Highline Gutter Adaptor and Ring Beams are in position, hook the High line Gutter Base section to the Highline Gutter Adaptor as shown, and fix at 300mm centres using the screws provided. Once screwed into position cover with the PVC eurogroove cover to hide the screws.

Highline Gutter Installation -Highline Gutter section 1



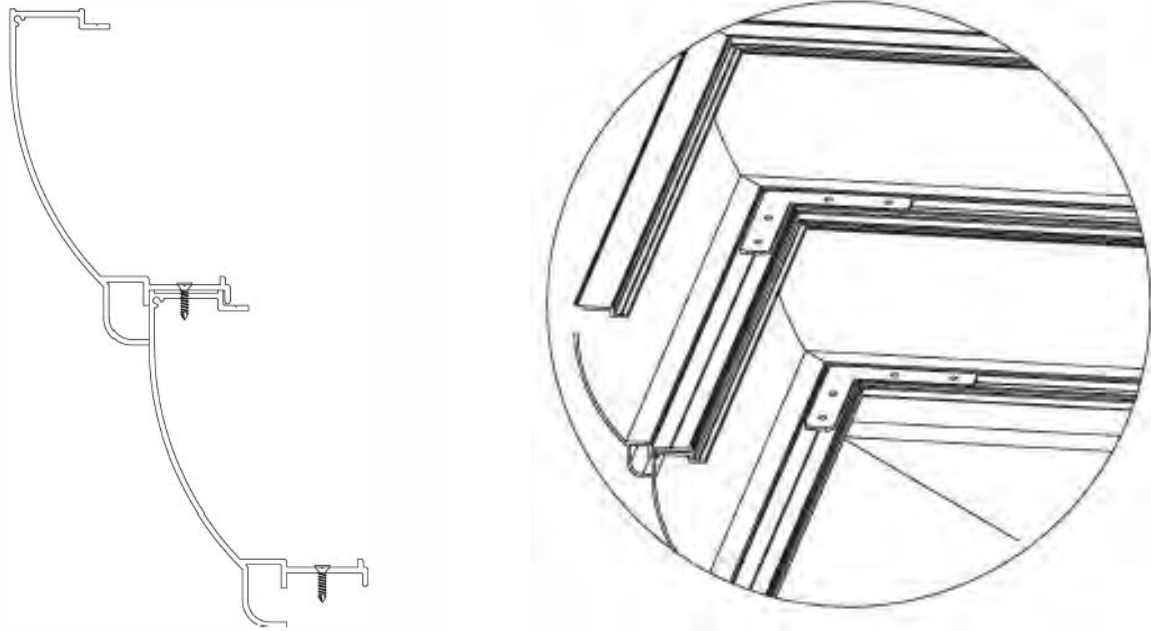
Locate the Highline Gutter Section onto the Highline Gutter Base Section and fix at every 300mm centres.



Use the 90° cleats provided to fix the gutter sections together at the corners on the inside, or use the 180° straight cleats if you have any straight gutter sections that require joining.



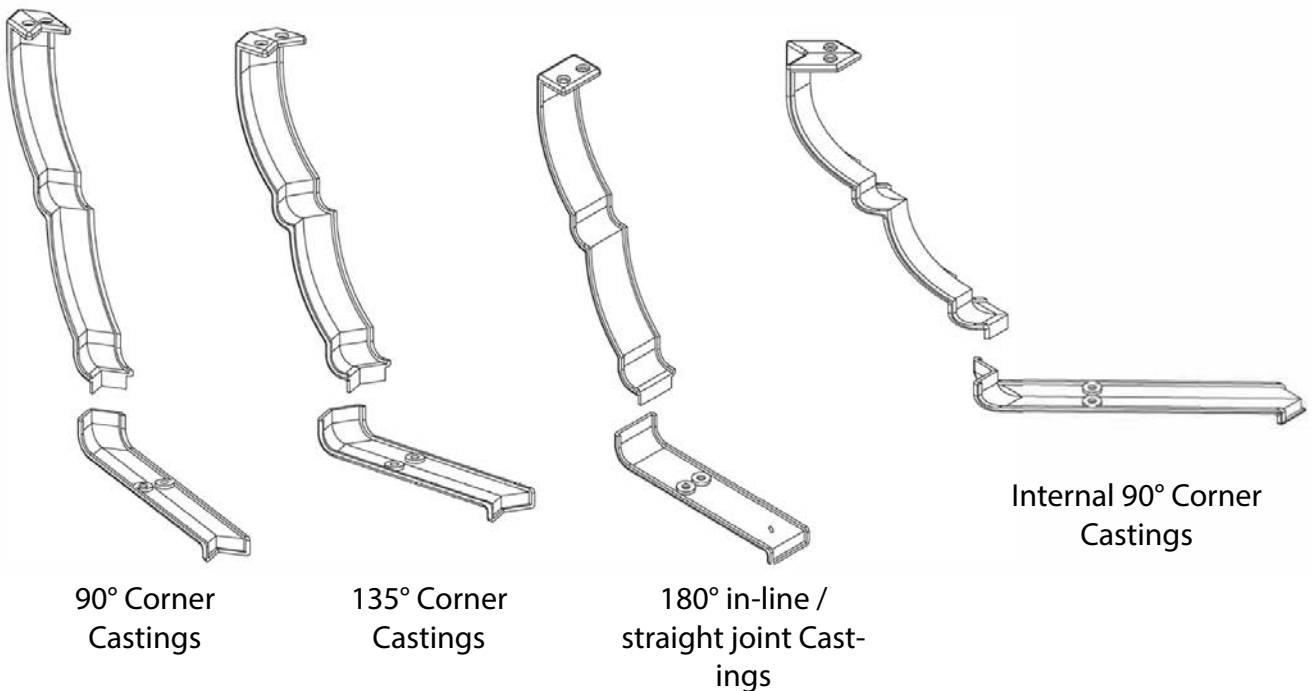
Highline Gutter Installation -Highline Gutter section 2



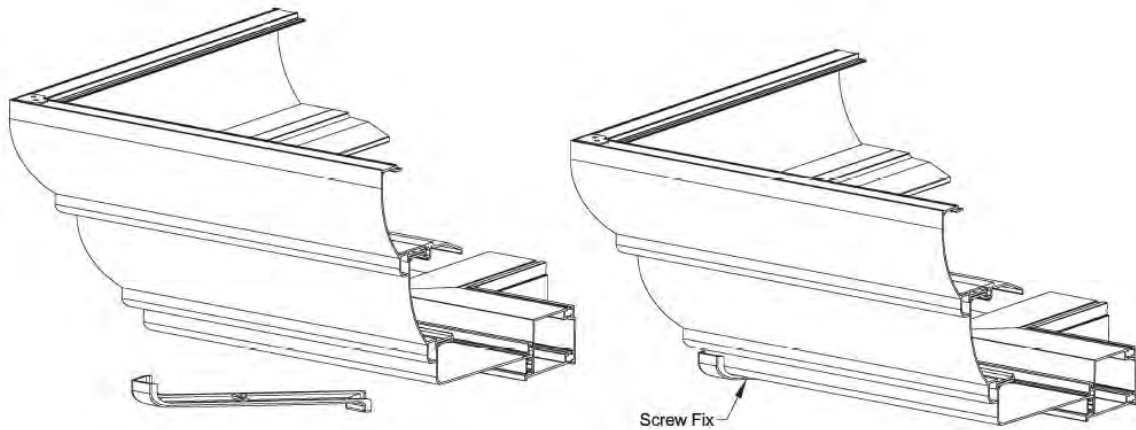
Fix the second section of Highline Gutter to the first at 300mm centres with the screws provided. Again use cleats on the corners or any straight joints to the inside of the gutter as shown above right, and as the previous step.

Highline Gutter Installation -External corner/ straight joints

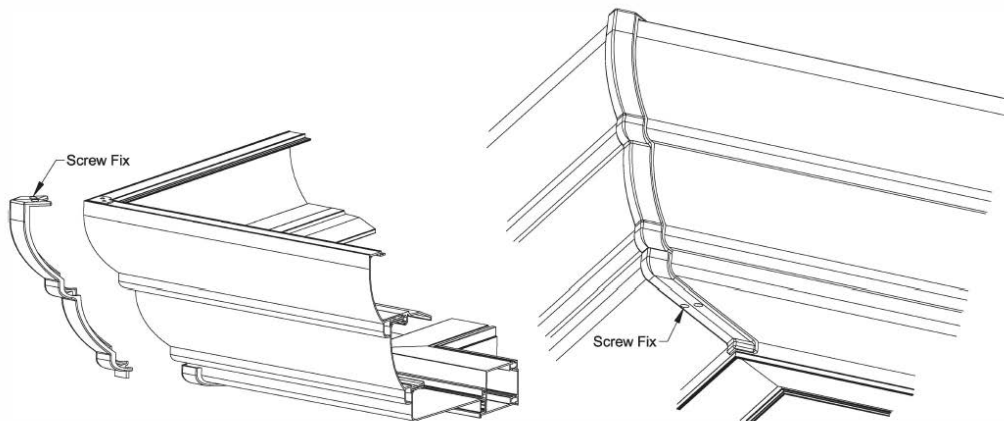
With the main Highline Gutter sections in place, it is time to secure the corners or any straight joints on the outside. There are various castings, identify the correct ones that have been supplied for your conservatory from the diagram below. Each corner or straight joint is supplied in 2 sections.



Highline Gutter Installation - External joints continued

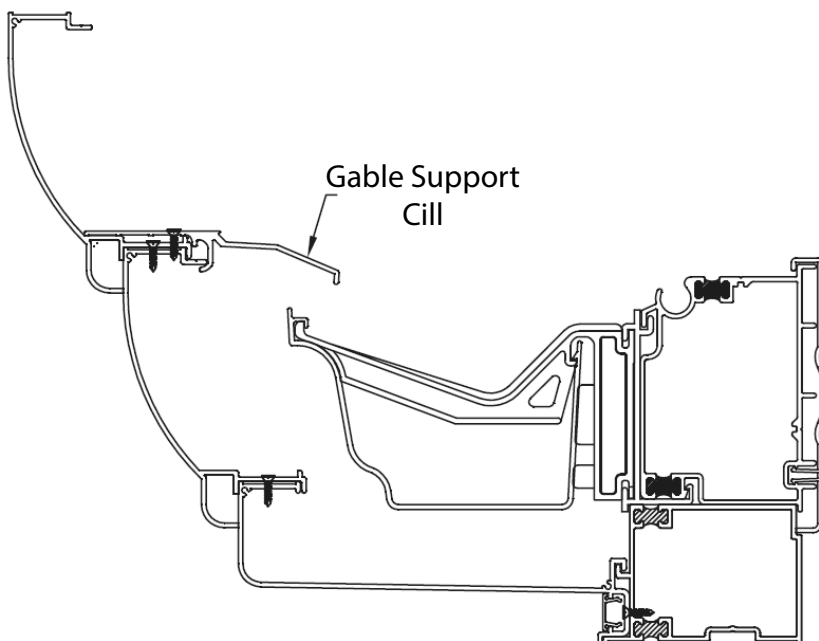


Fix the bottom section of the casting through the underside into the high line gutter base. The second part of the casting will fit over this section holding it in place.



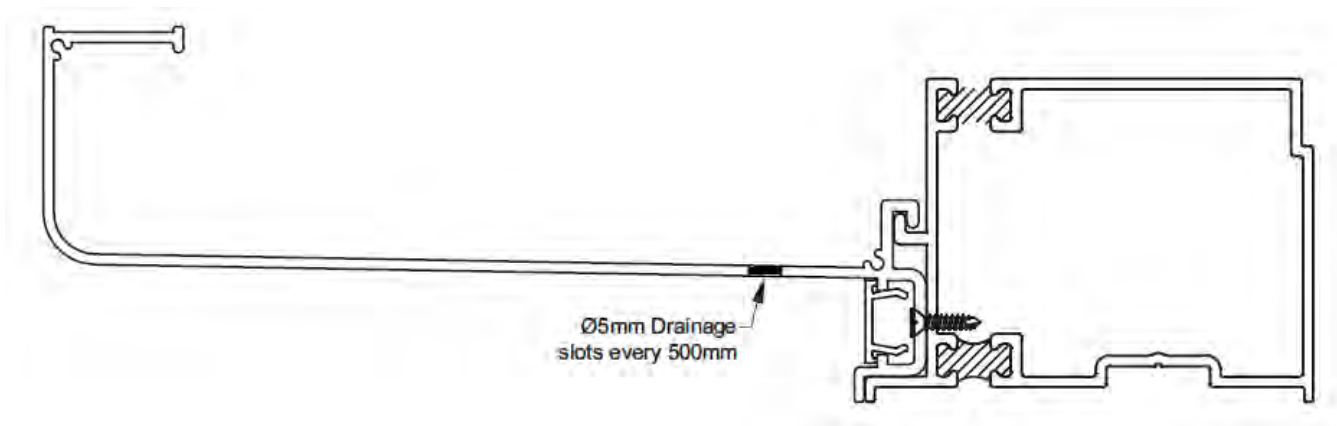
Fix the top part of the casting, fixing down through the top into the highline gutter section. Use a 2mm thick washer between the casting and the highline gutter section.

Highline Gutter Installation - Gable Support Cill



To ensure any rainwater is directed into the standard gutter, locate and fix the gable support cill into the second section of Highline Gutter. This will act as a cill.

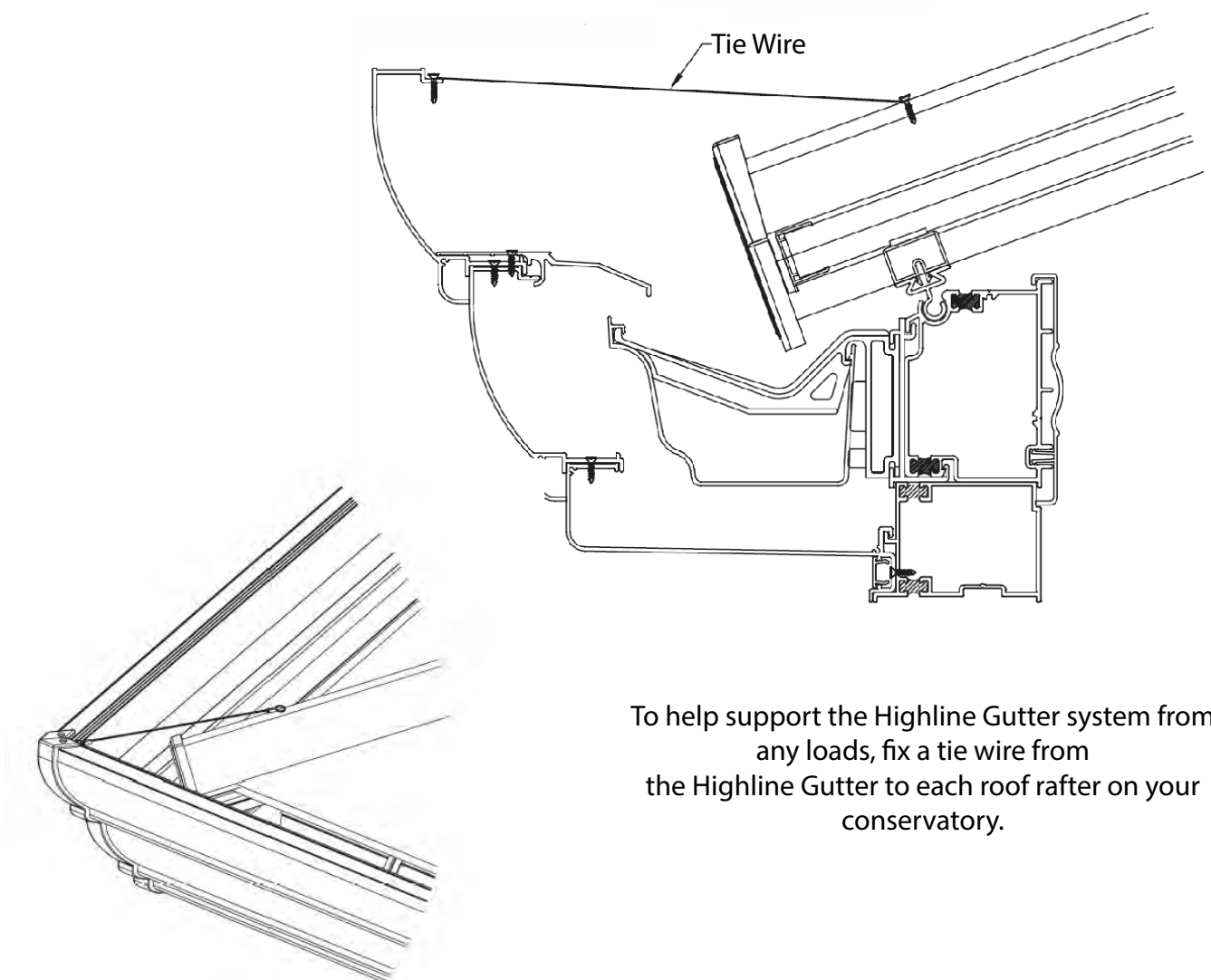
Highline Gutter Installation - Drainage



Drainage Details

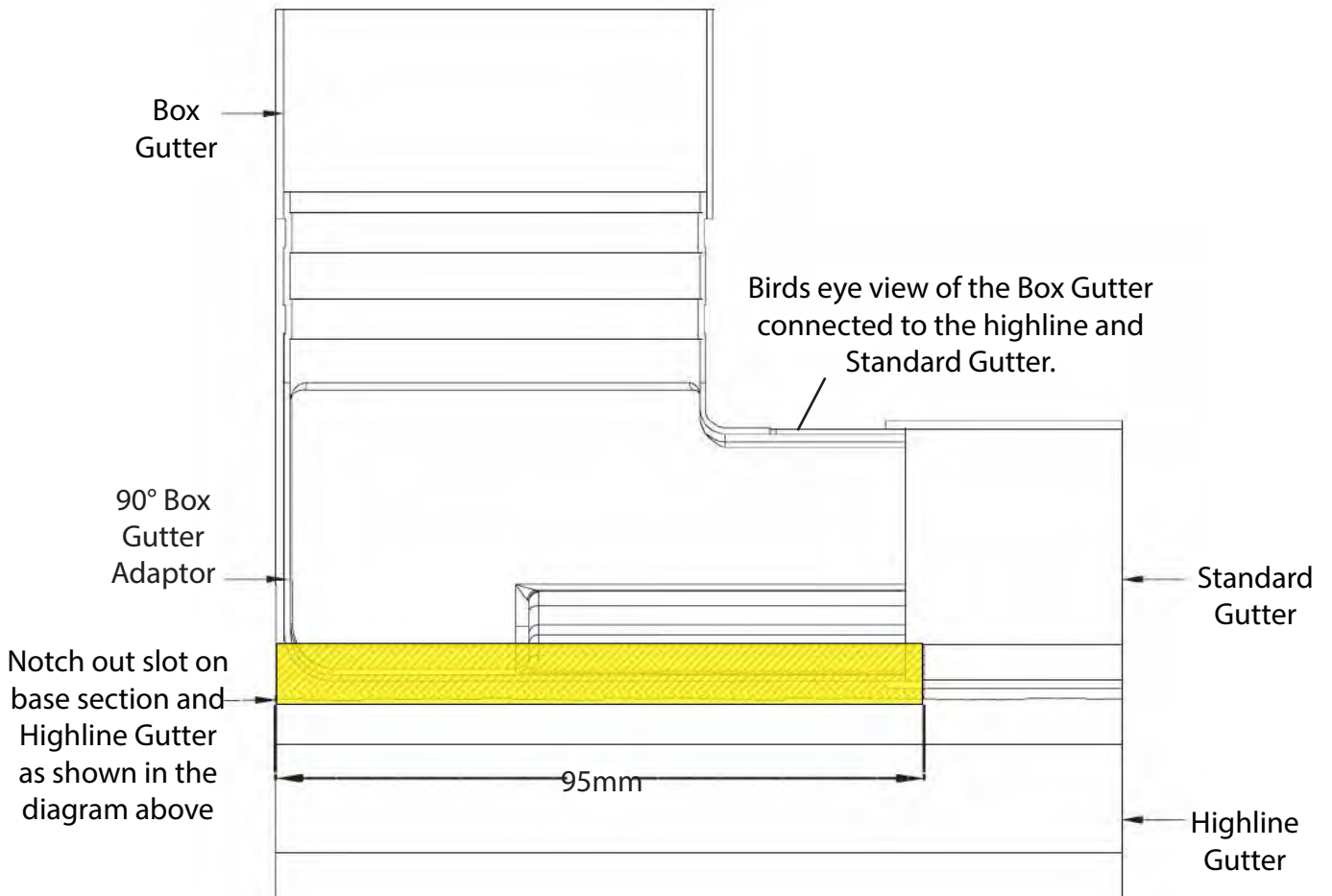
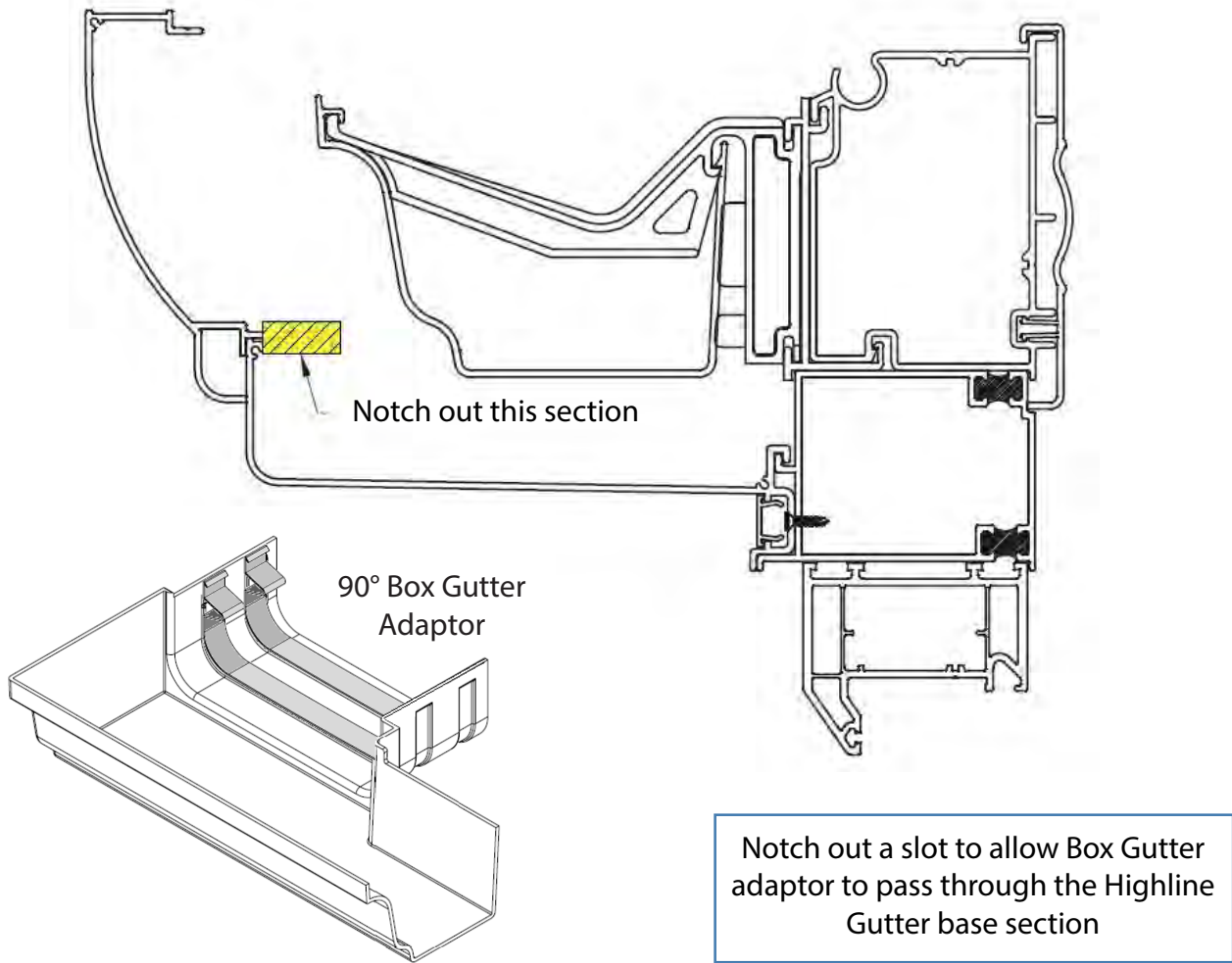
Drill 5mm drainage holes every 500mm in the Highline Gutter Base Section.
PLEASE NOTE: do not drain above any doors on your conservatory.

Highline Gutter Installation - Tie Wires

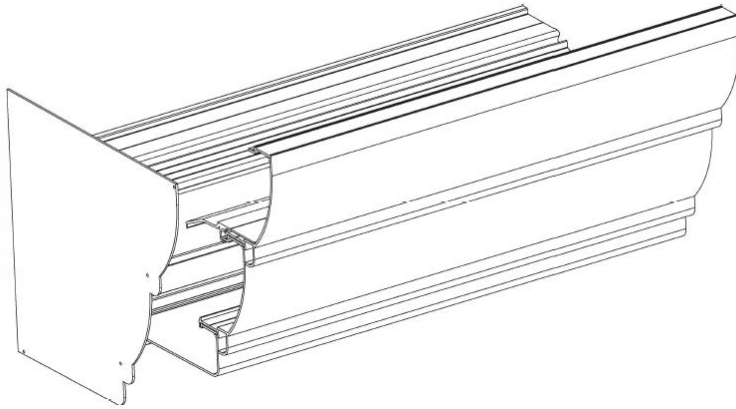


To help support the Highline Gutter system from any loads, fix a tie wire from the Highline Gutter to each roof rafter on your conservatory.

Highline Gutter Installation - Box Gutter corners

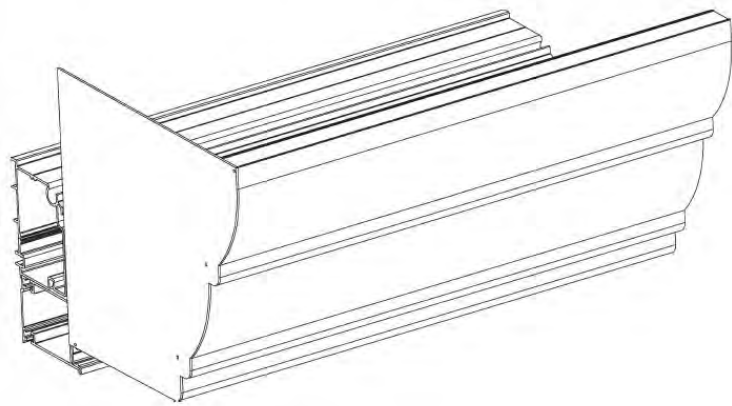


Highline Gutter Installation - End Plate fixing details

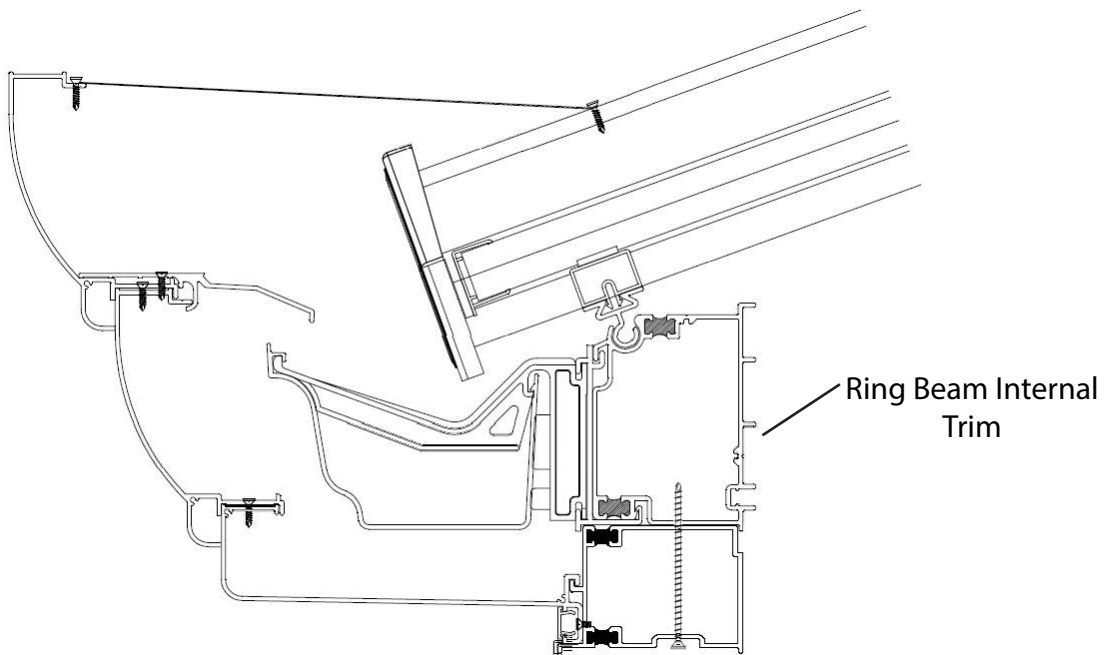


In some situations where the gutter protrudes beyond the wall, End Plates will be required to cap off the end of the Highline Gutter.

Fix End Plate to Highline Gutter sections into the screw ports on the gutter extrusions. Fix using 16mm Stainless Steel screws and screw cap covers.



Internal finish - No internal Pelmet

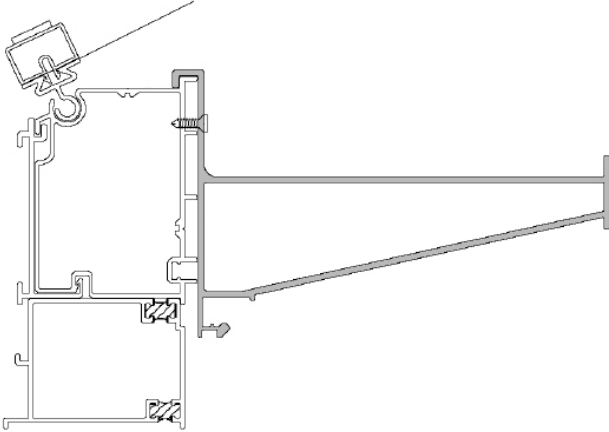


If the conservatory you have ordered does not have any Internal Pelmet, there are just the Ring Beam Internal Trims and Ring Beam Cover Joints to install. Please see the Installation Guide you used for the main roof structure. If your conservatory has Internal Pelmet, please see the following guide.

Summarised order of fitting

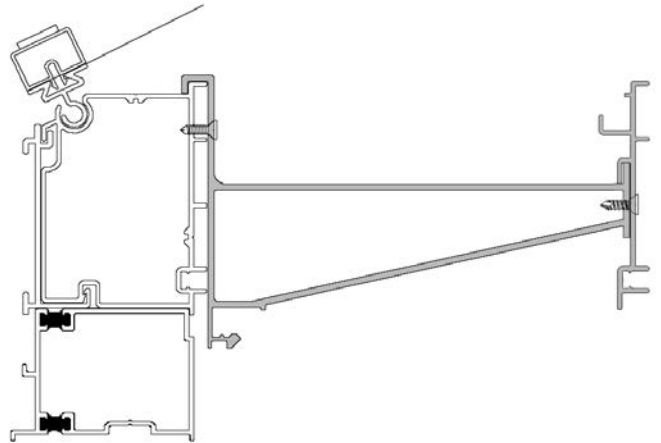
Below is a summarised order of the general stages of fitting the pelmet. The left side shows Internal Pelmet only, the right shows Internal Pelmet with Decorative Highline Gutter.

1



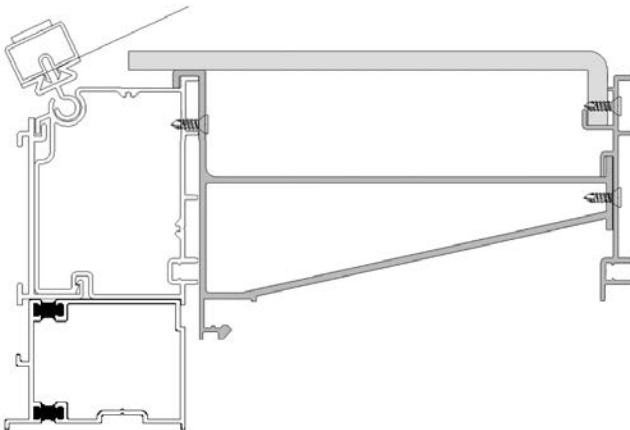
Fit the Faux Orangery Support Brackets first. (Brackets for the corners of your roof are cut down versions).

2



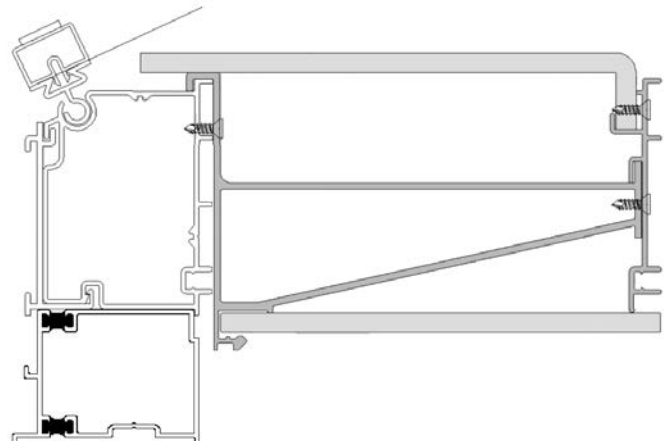
Secondly add the Faux Orangery Internal Trim Support.

3



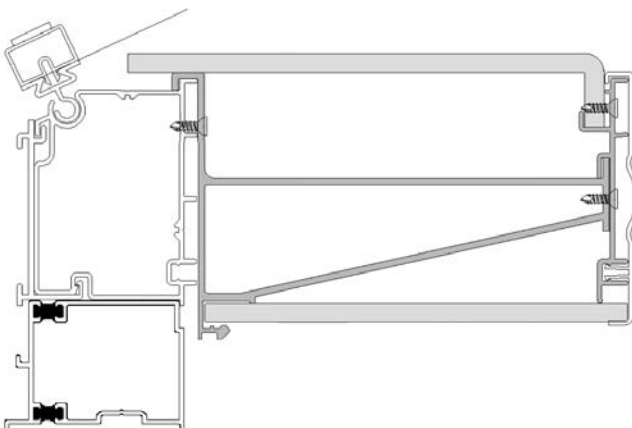
Next fit the Capping Board

4



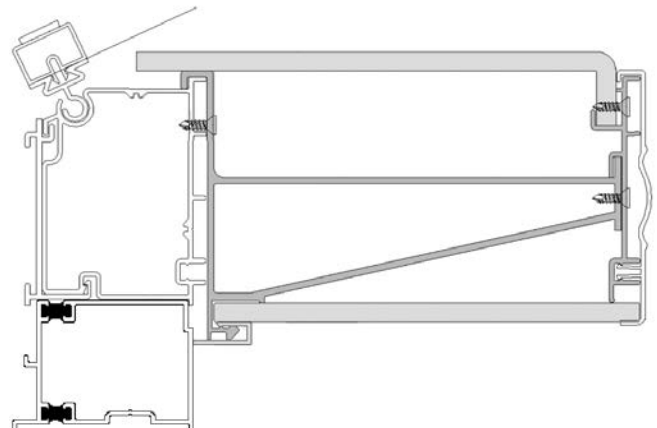
Followed by the Underclad.

5



Then add the Ring Beam Internal Trim.

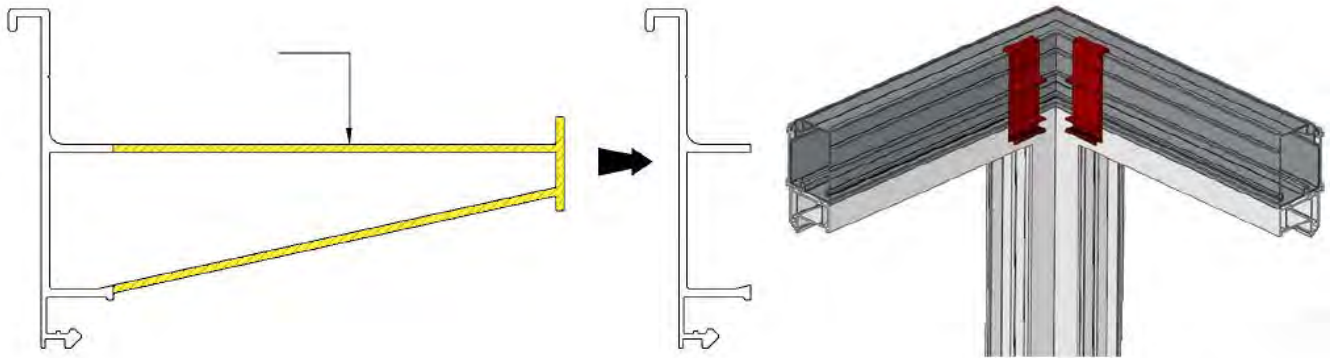
6



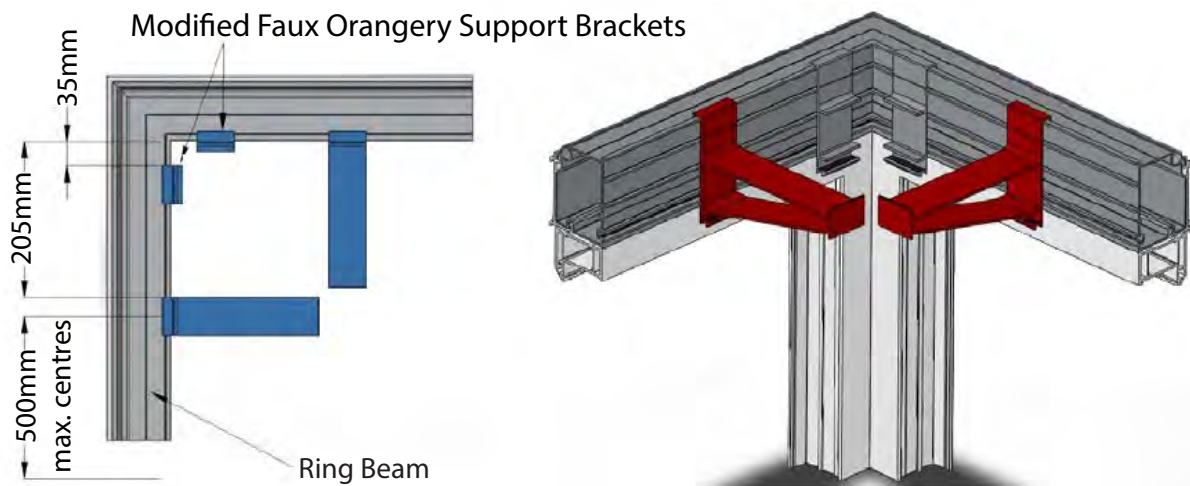
Finally add the Faux Orangery Trim.

Faux Orangery Support Brackets

The brackets used in the corners are modified Faux Orangery Support Brackets. Faux Orangery Support Brackets should be placed at 300mm - 500mm centres, but no more than 500mm.



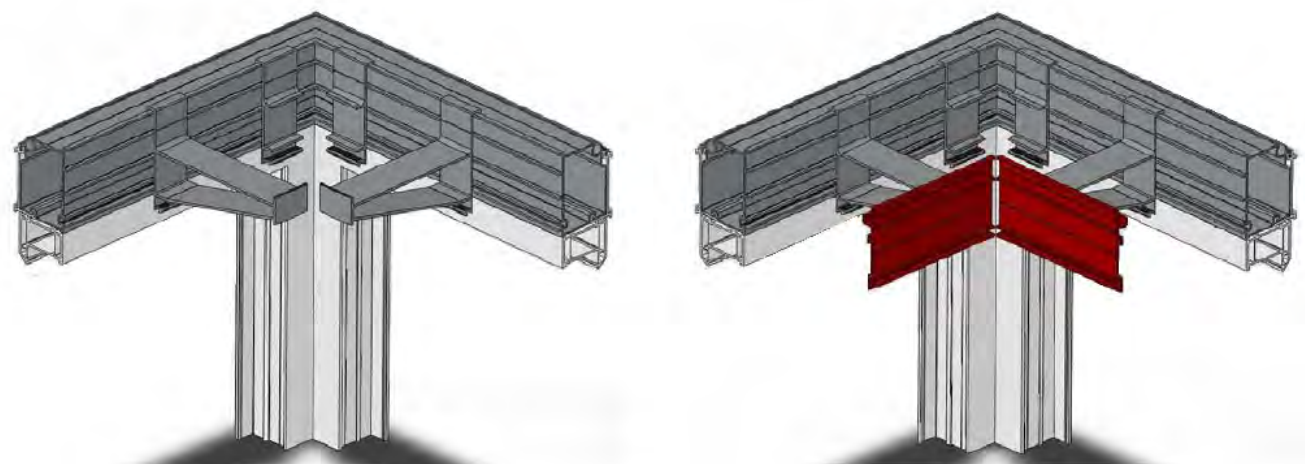
See below for the correct positioning of the brackets in the corners of your conservatory roof.



Faux Orangery Internal Trim Support

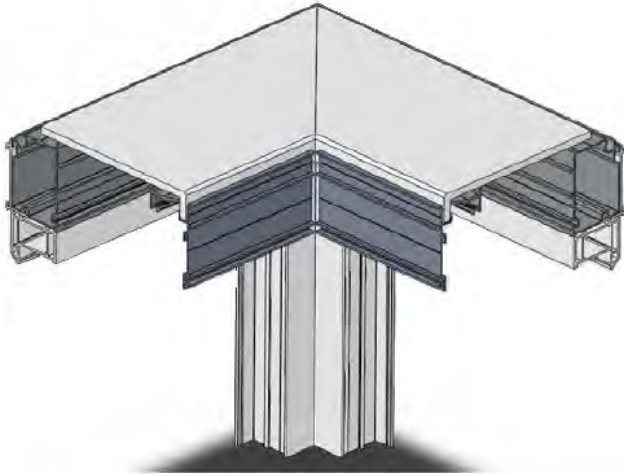
Once all brackets are in place screw them into position using the 16mm self drilling screws.

Locate the Internal Trim Support and screw into place using the 16mm self drilling screws.

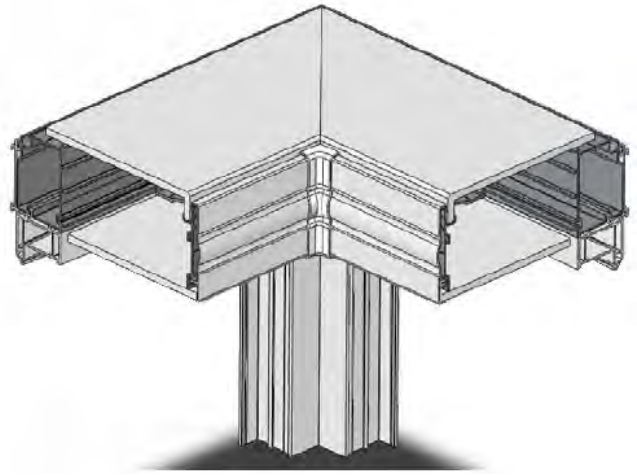


Capping board, Underclad & Ring Beam Internal Trim

Locate the Capping board and screw into position.

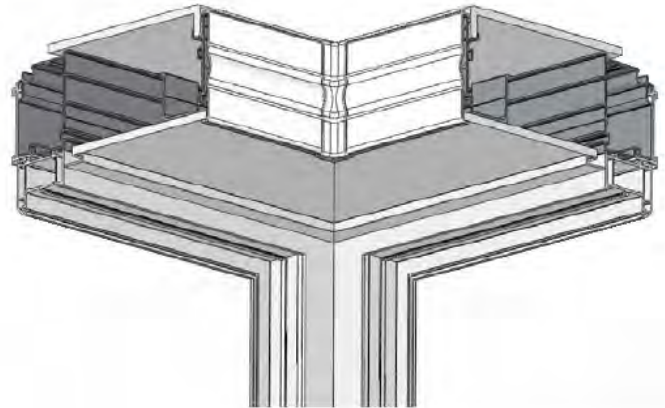
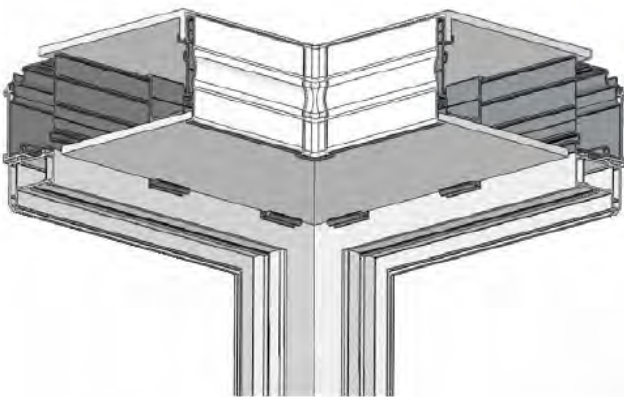


Offer up the Underclad and clip the Ring Beam Internal Trim into place.



Faux Orangery Trim

Clip into position the Faux Orangery Trim. The corners can be either mitred or square cut.

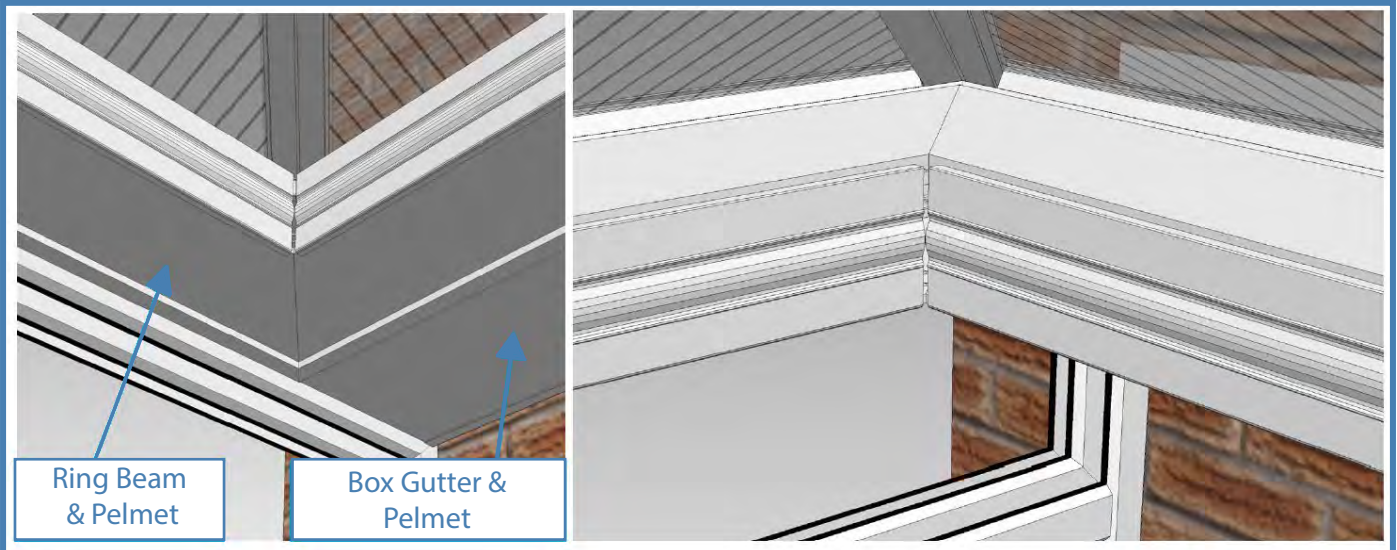


Your Internal Pelmet are now complete.

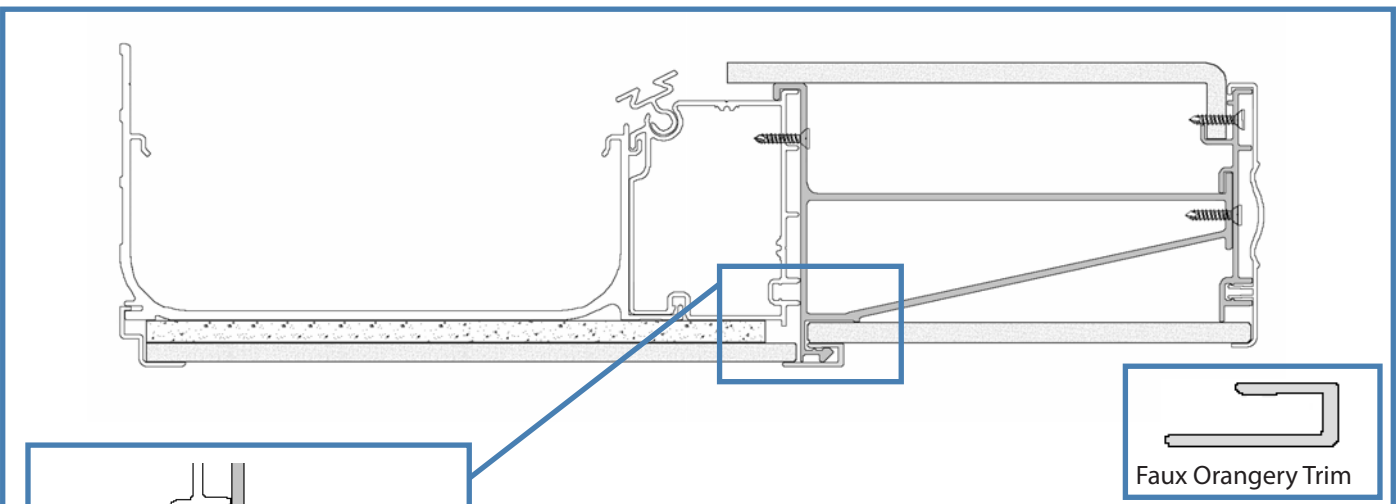


Pelmets and Box Gutters

Standard Box Gutters (No roof cut-outs)



Unless you have requested not to have it, the Conservatory will be supplied with Internal Pelmet to fit to the Box Gutter as well as the Ring Beams. With the exception of the 'Faux Orangery Trim' described below, the Pelmet will fit to the Box Gutter in exactly the same way as it would fit to a Ring Beam.



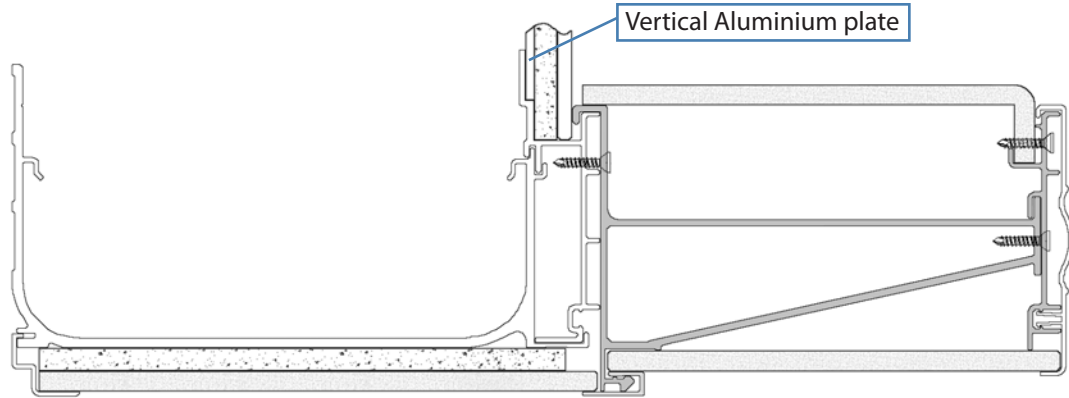
If there is a Pelmet fitting to the Box Gutter, the Box Gutter Underclad cannot be fitted until you have got to the final stage of fitting the Pelmet. Instead of having the standard 'Box Gutter Clips' holding the Box Gutter Underclad in place, one of these is replaced with the 'Faux Orangery Trim' shown above.

If there isn't a Pelmet fitting to the Box Gutter, the Pelmet on the Ring Beams just butt up to the inside of the Box Gutter as shown in the drawing on the right.

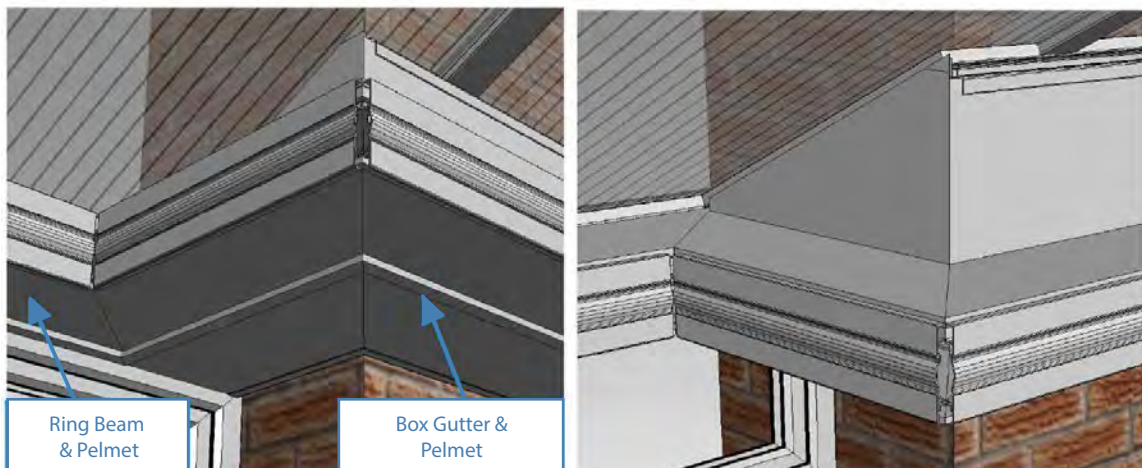


Pelmets and Box Gutters

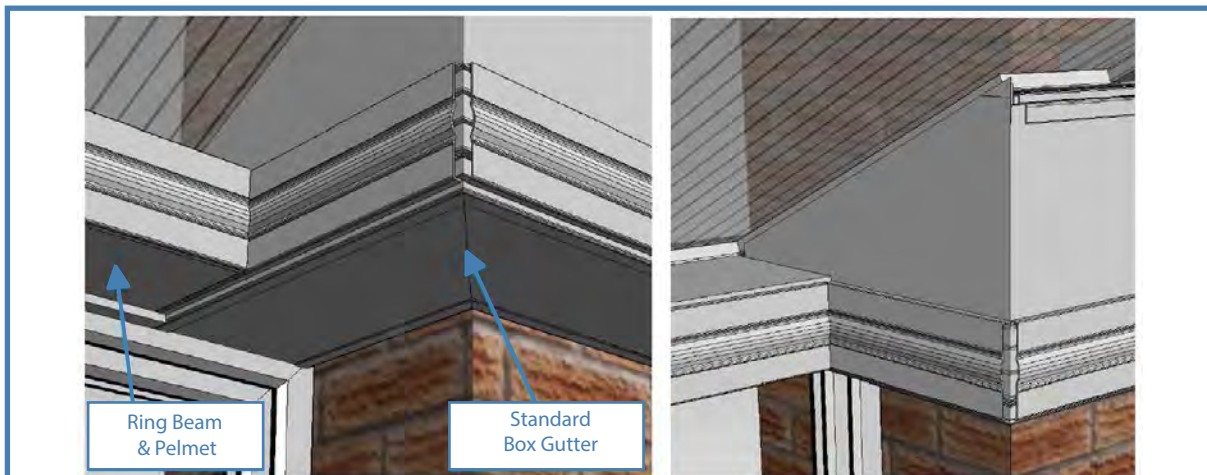
Box Gutters with roof cut-outs



Where there is a Box Gutter cut out, the Pelmet will fit in exactly the same way as previously described for Ring Beams & standard Box Gutters. The only difference is the Ring Beam is replaced with a different component that is just a narrower version of a Ring Beam, designed to hold the vertical Aluminium plate that sits on top of it.



The above drawing shows a Box Gutter cut-out with the Internal Pelmet fitted.



The above drawing shows Internal Pelmet on the Ring beam only, butted up to the box Gutter. Unless you have requested not to have it, Pelmet will be supplied for both the Box Gutter & Ring Beams.